

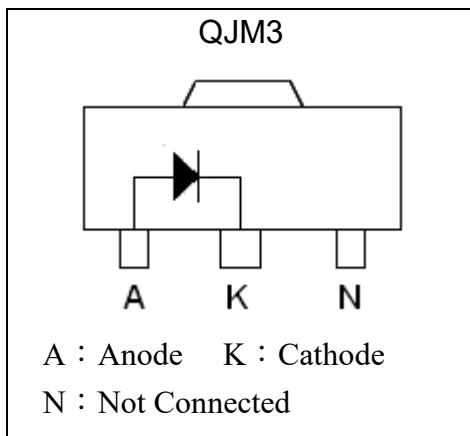
1A Snubber Damping Rectifier

QJM3

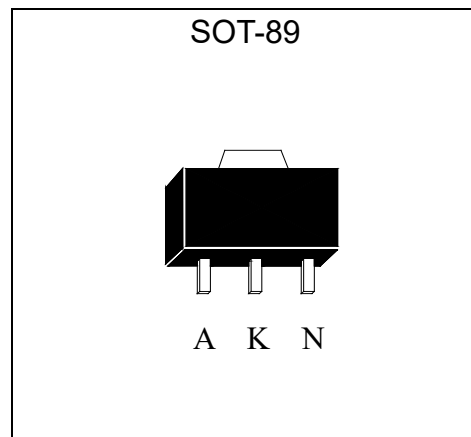
Features

- High current capability
- Smoothly soft reverse recovery time (trr)
- Low profile surface mounted package in order to minimize board space
- Pb-free lead plating and halogen-free package

Symbol

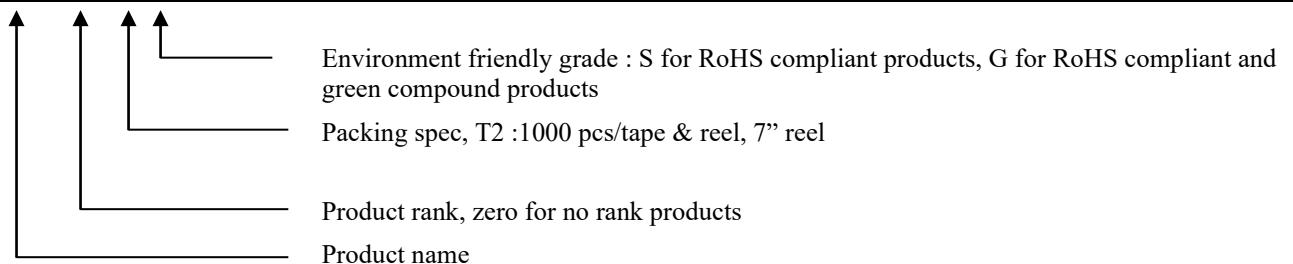


Outline



Ordering Information

Device	Package	Shipping
QJM3-XX-T2-G	SOT-89 (Pb-free lead plating and halogen-free package)	1000 pcs / Tape & Reel



**Absolute Maximum Ratings** ($T_A=25^{\circ}\text{C}$, unless otherwise noted)

Parameters	Conditions	Symbol	Value		Units
			65	70	
Repetitive peak reverse voltage		V_{RRM}	650	700	V
RMS voltage		V_{RMS}	455	490	V
Continuous reverse voltage		V_R	650	700	V
Forward rectified current	Single phase half wave, 60Hz @ $T_J=25^{\circ}\text{C}$	$I_{F(AV)}$	1		A
Repetitive Peak Forward Current	Single phase half wave, 60Hz @ $T_J=25^{\circ}\text{C}$	I_{FRM}	1.57		A
Forward surge current	8.3ms single half sine-wave superimposed on rated load (JEDEC method)	I_{FSM}	10		A
Power Dissipation		P_D	0.6		W
	(Note 1)		1		
	(Note 2)		2		
Maximum reverse recovery time	$I_F=0.5\text{A}$, $I_R=1.0\text{A}$, $I_{RR}=0.25\text{A}$	trr	3		μs
Storage temperature range		Tstg	-55~+150		$^{\circ}\text{C}$
Operating junction temperature range		T_J	-55~+150		$^{\circ}\text{C}$

Thermal Data

Parameter	Symbol	Value	Unit
Thermal Resistance, Junction-to-ambient, max	$R_{th,j-a}$	208	$^{\circ}\text{C/W}$
Thermal Resistance, Junction-to-ambient, max (Note 1)		125	
Thermal Resistance, Junction-to-ambient, max (Note 2)		62.5	
Thermal Resistance, Junction-to-case, max	$R_{th,j-c}$	40	

Note: *1 When mounted on FR-4 PCB with area measuring $10 \times 10 \times 1$ mm*2 When mounted on ceramic with area measuring $40 \times 40 \times 1$ mm**Characteristics** ($T_A=25^{\circ}\text{C}$, unless otherwise noted)

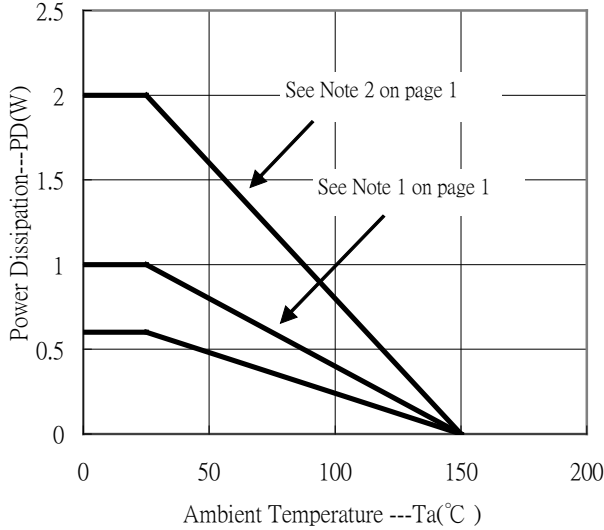
Characteristic	Symbol	Condition	Min.	Typ	Max.	Unit
Breakdown Voltage	V_R	$I_R=100\mu\text{A}$	650	-	-	V
Forward Voltage	$V_F 1$	$I_F=100\text{mA}$	-	-	0.95	V
	$V_F 2$	$I_F=500\text{mA}$	-	-	1.2	
Reverse Leakage Current	I_R	$V_R=620\text{V}$	-	-	100	nA
Junction Capacitance	C_J	$V_R=1\text{V}$, $f=1\text{MHz}$	-	6	-	pF

Classification of V_R

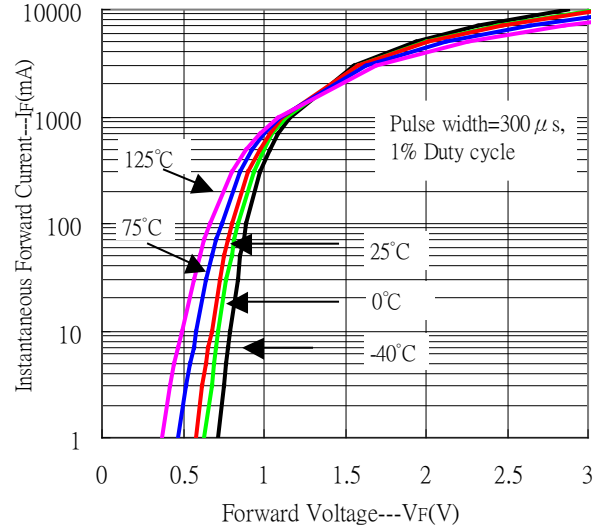
Rank	65	70
Range	>650V	>700V

Typical Characteristics

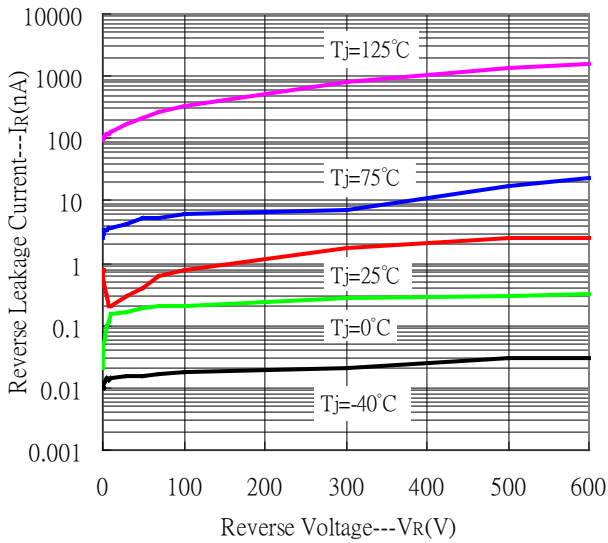
Power Derating Curves



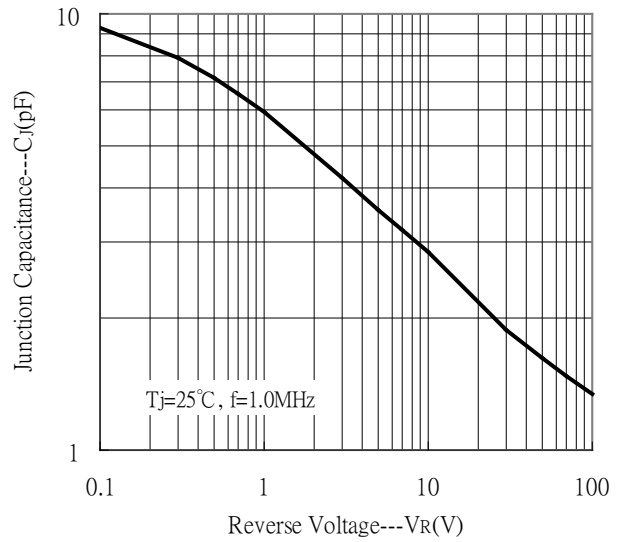
Forward Current vs Forward Voltage



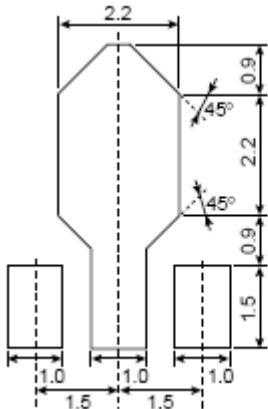
Reverse Leakage Current vs Reverse Voltage



Junction Capacitance vs Reverse Voltage

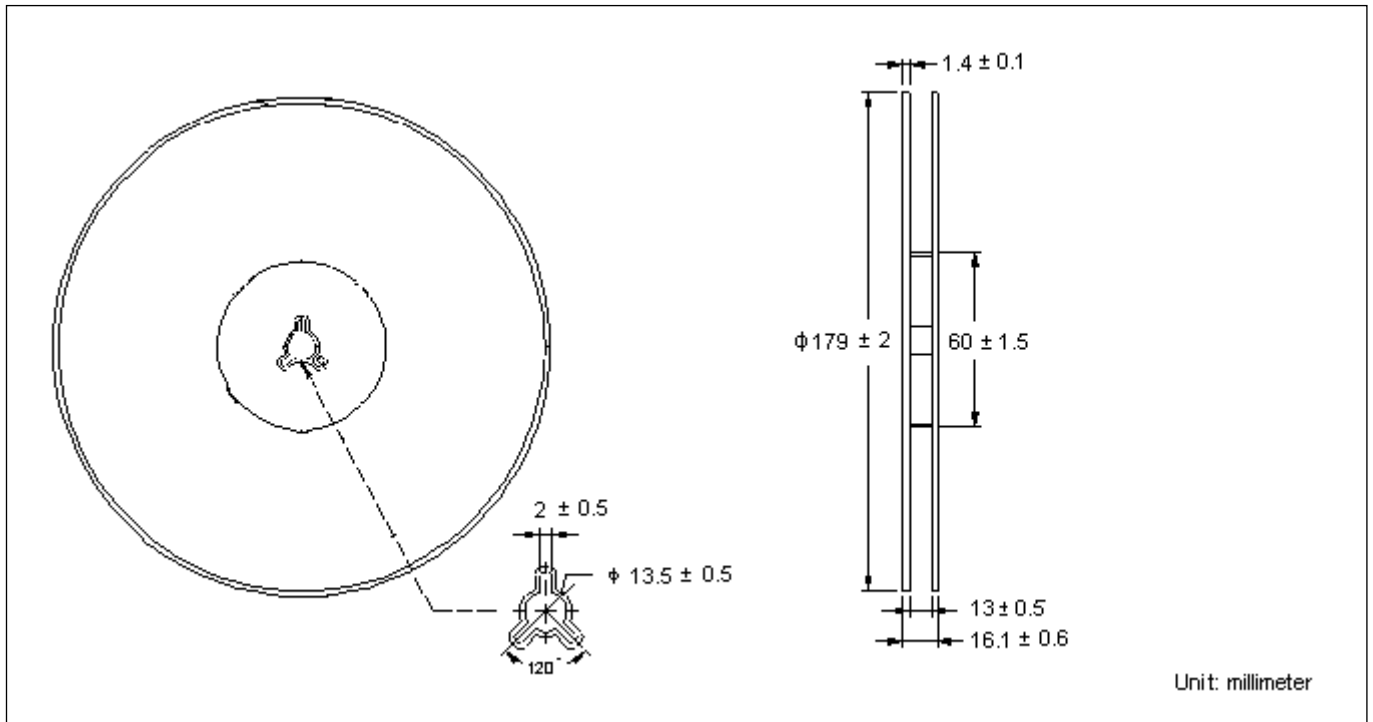


Recommended soldering footprint

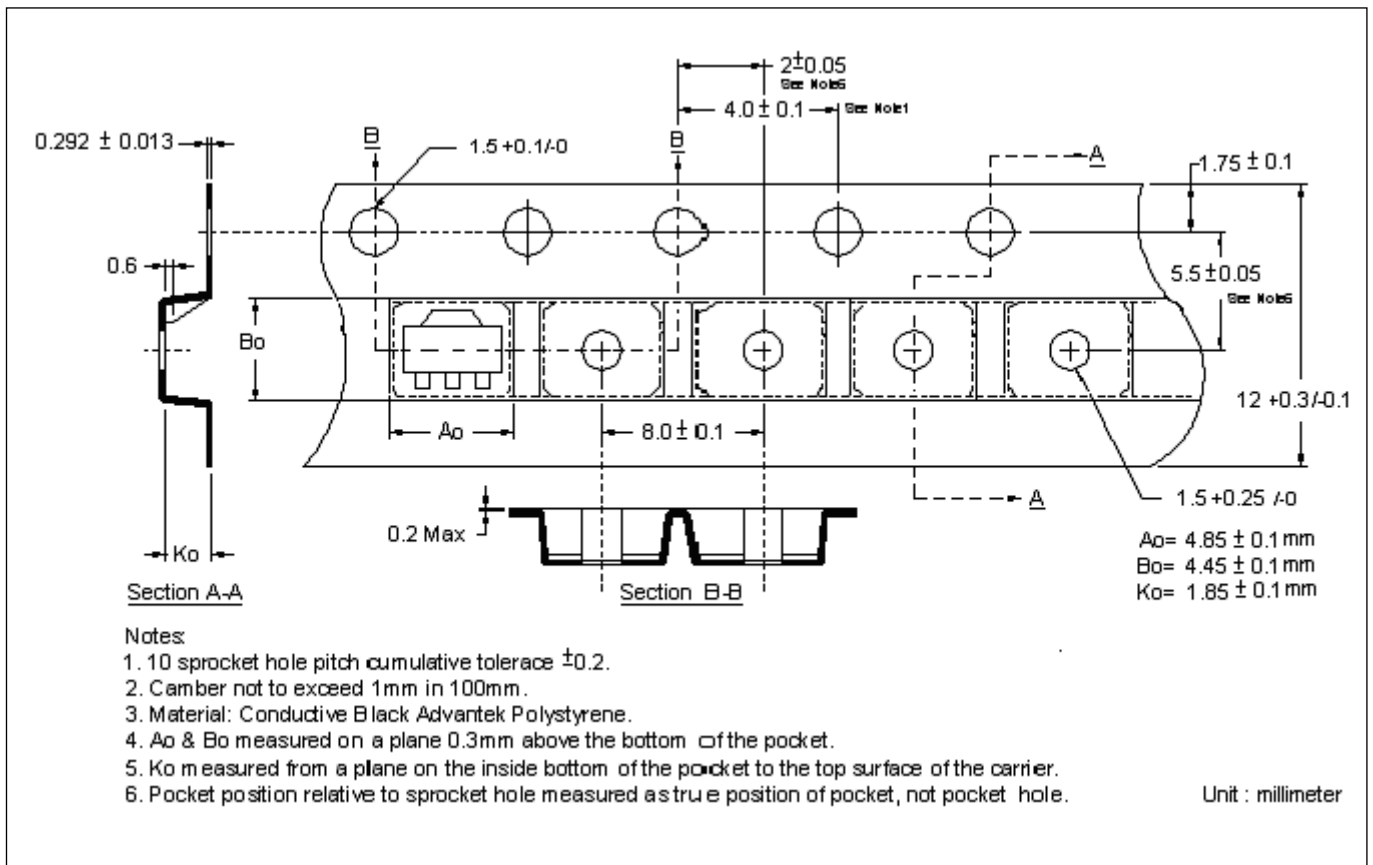


unit : mm

Reel Dimension



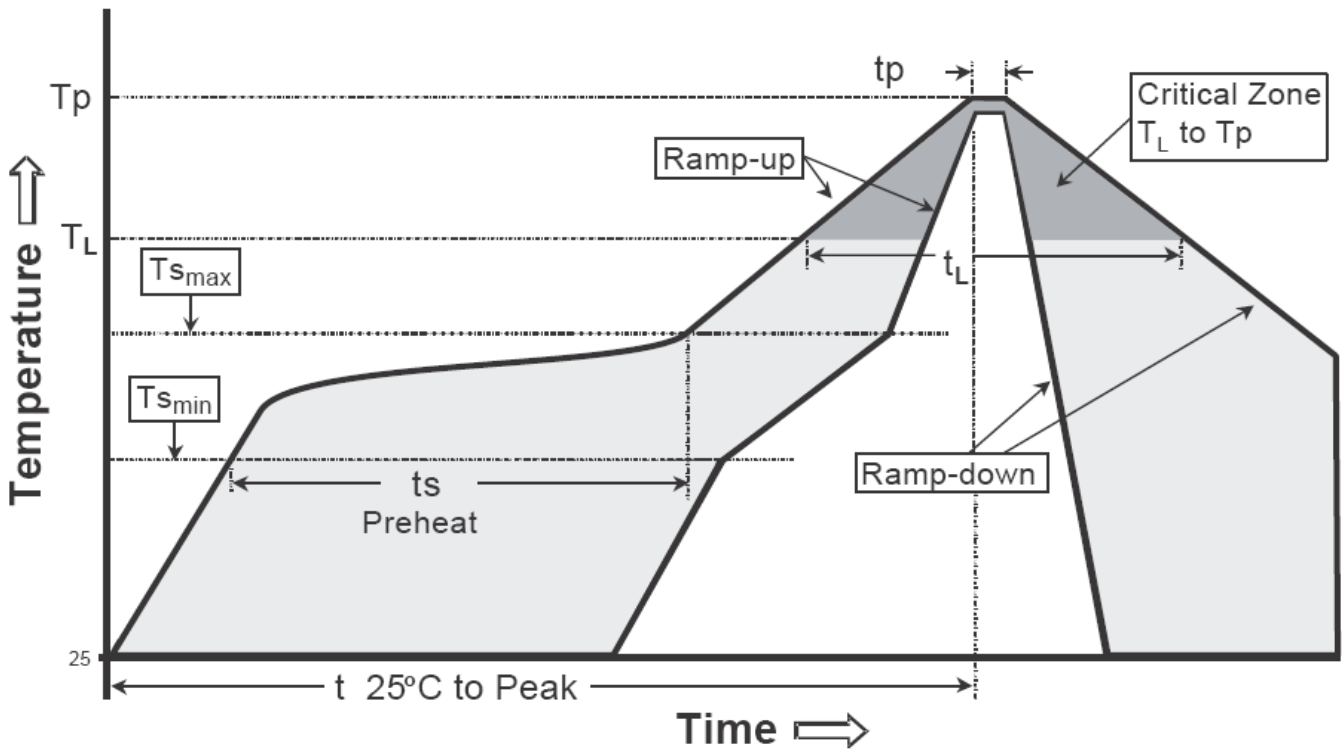
Carrier Tape Dimension



Recommended wave soldering condition

Product	Peak Temperature	Soldering Time
Pb-free devices	260 +0/-5 °C	5 +1/-1 seconds

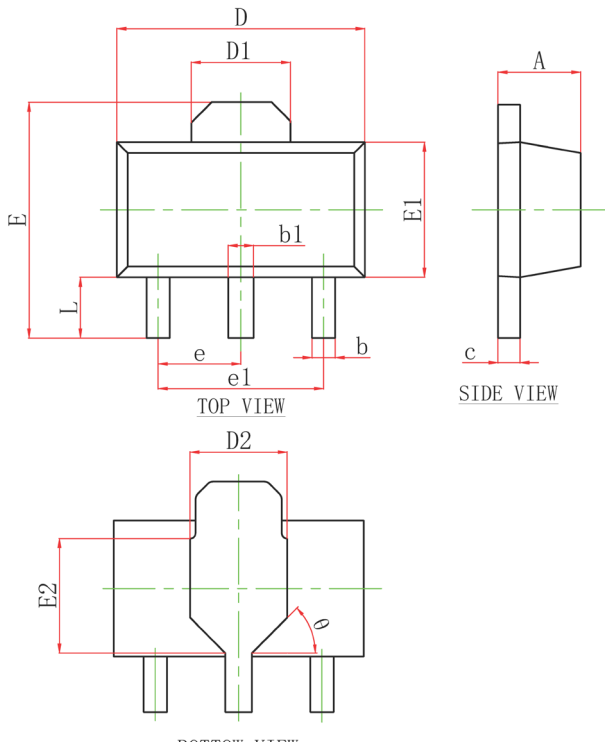
Recommended temperature profile for IR reflow



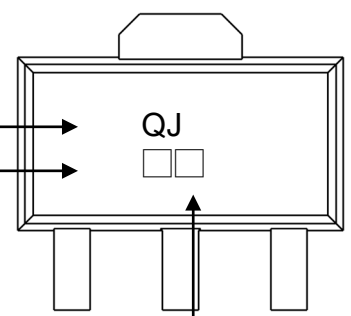
Profile feature	Sn-Pb eutectic Assembly	Pb-free Assembly
Average ramp-up rate (T _{smax} to T _p)	3°C/second max.	3°C/second max.
Preheat		
-Temperature Min(T _{s min})	100°C	150°C
-Temperature Max(T _{s max})	150°C	200°C
-Time(t _{s min} to t _{s max})	60-120 seconds	60-180 seconds
Time maintained above:		
-Temperature (T _L)	183°C	217°C
- Time (t _L)	60-150 seconds	60-150 seconds
Peak Temperature(T _p)	240 +0/-5 °C	260 +0/-5 °C
Time within 5°C of actual peak temperature(tp)	10-30 seconds	20-40 seconds
Ramp down rate	6°C/second max.	6°C/second max.
Time 25 °C to peak temperature	6 minutes max.	8 minutes max.

Note : All temperatures refer to topside of the package, measured on the package body surface.

SOT-89 Dimension



Marking:



Product Code → **QJ**

Year code: →

0→2010,
 1→2011,
 2→2012,
 ...etc.

month code: 1~9,

A,B,C

Style: Pin 1. Anode 2. Cathode 3. Not Connected

**3-Lead SOT-89 Plastic
 Surface Mounted Package
 CYS Package Code: M3**

DIM	Inches		Millimeters		DIM	Inches		Millimeters	
	Min.	Max.	Min.	Max.		Min.	Max.	Min.	Max.
A	0.055	0.063	1.40	1.60	E	0.155	0.167	3.94	4.25
b	0.013	0.020	0.32	0.52	E1	0.091	0.102	2.30	2.60
b1	0.016	0.023	0.40	0.58	E2	0.075 REF.		1.90 REF.	
c	0.014	0.017	0.35	0.44	e	0.060 TYP.		1.50 TYP.	
D	0.173	0.181	4.40	4.60	e1	0.118 TYP.		3.00 TYP.	
D1	0.061 REF.		1.55 REF.		L	0.035	0.047	0.90	1.20
D2	0.063 REF.		1.60 REF.		θ	45°		45°	

Notes: 1.Controlling dimension: millimeters.
 2.Maximum lead thickness includes lead finish thickness, and minimum lead thickness is the minimum thickness of base material.
 3.If there is any question with packing specification or packing method, please contact your local CYStek sales office.

Material:

- Lead: Pure tin plated.
- Mold Compound: Epoxy resin family, flammability solid burning class: UL94V-0.

Important Notice:

- All rights are reserved. Reproduction in whole or in part is prohibited without the prior written approval of CYStek.
- CYStek reserves the right to make changes to its products without notice.
- CYStek **semiconductor products are not warranted to be suitable for use in Life-Support Applications, or systems.**
- CYStek assumes no liability for any consequence of customer product design, infringement of patents, or application assistance.