



N-Channel Enhancement Mode Power MOSFET

MTN4N65BFP

BV_{DSS}	650V
I_D @ V_{GS}=10V, T_C=25°C	4A
I_D @ V_{GS}=10V, T_C=100°C	2.4A
R_{DS(ON)}@ V_{GS}=10V, I_D=2A	2Ω (typ)

Description

The MTN4N65BFP is a N-channel enhancement-mode MOSFET, providing the designer with the best combination of fast switching, ruggedized device design, low on-resistance and cost effectiveness. The TO-220FP package is universally preferred for all commercial-industrial applications

Features

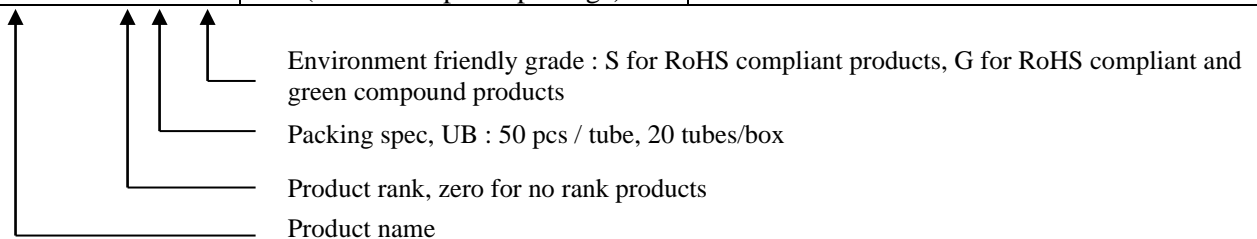
- Low On Resistance
- Simple Drive Requirement
- Fast Switching Characteristic
- Insulating package, front/back side insulating voltage=2500V(AC)
- RoHS compliant package

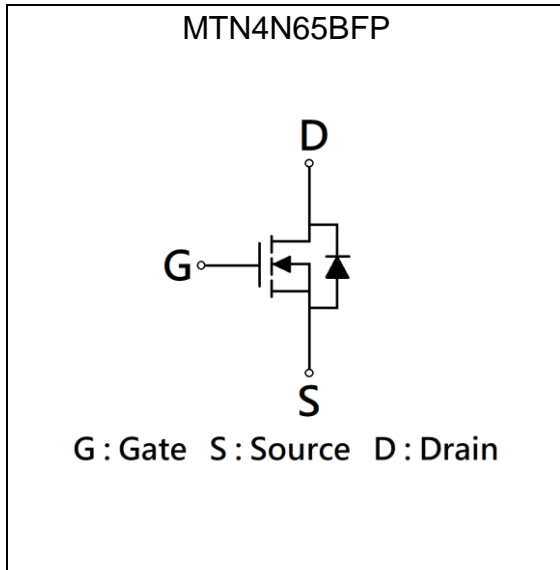
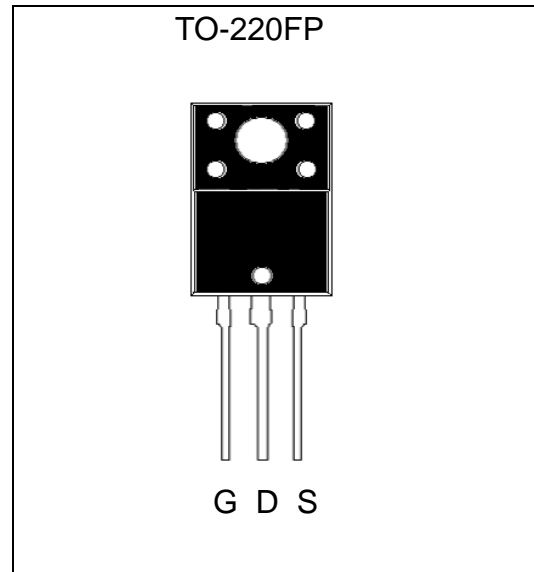
Applications

- Adapter
- Switching Mode Power Supply

Ordering Information

Device	Package	Shipping
MTN4N65BFP-0-UB-S	TO-220FP (RoHS compliant package)	50 pcs/tube, 20 tubes/box, 5 boxes / carton



Symbol

Outline

Absolute Maximum Ratings ($T_C=25^\circ\text{C}$)

Parameter	Symbol	Limits	Unit
Drain-Source Voltage	V_{DS}	650	V
Gate-Source Voltage	V_{GS}	± 30	V
Continuous Drain Current	I_D	4*	A
Continuous Drain Current @ $T_C=100^\circ\text{C}$	I_D	2.4*	A
Pulsed Drain Current @ $V_{GS}=10\text{V}$ (Note 1)	I_{DM}	16*	A
Single Pulse Avalanche Energy (Note 2)	E_{AS}	36	mJ
Avalanche Current (Note 1)	I_{AS}	3	A
Repetitive Avalanche Energy (Note 1)	E_{AR}	3.4	mJ
Maximum Temperature for Soldering @ Lead at 0.125 in(0.318mm) from case for 10 seconds	T_L	300	$^\circ\text{C}$
Total Power Dissipation ($T_C=25^\circ\text{C}$)	P_D	34	W
Linear Derating Factor		0.27	W/ $^\circ\text{C}$
Operating Junction and Storage Temperature	T_j, T_{stg}	-55~+150	$^\circ\text{C}$

*Drain current limited by maximum junction temperature

Note : 1.Repetitive rating; pulse width limited by maximum junction temperature.

2. $I_{AS}=3\text{A}$, $V_{DD}=50\text{V}$, $L=8\text{mH}$, $R_G=25\ \Omega$, starting $T_J=+25^\circ\text{C}$.



Thermal Data

Parameter	Symbol	Value	Unit
Thermal Resistance, Junction-to-case, max	$R_{th,j-c}$	3.68	$^{\circ}C/W$
Thermal Resistance, Junction-to-ambient, max	$R_{th,j-a}$	62.5	$^{\circ}C/W$

Characteristics (Tj=25°C, unless otherwise specified)

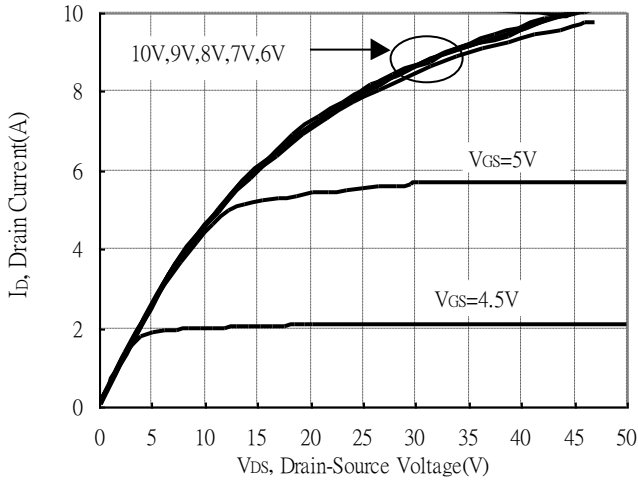
Symbol	Min.	Typ.	Max.	Unit	Test Conditions
Static					
BV_{DSS}	650	-	-	V	$V_{GS}=0V, I_D=250\mu A, T_j=25^{\circ}C$
$\Delta BV_{DSS}/\Delta T_j$	-	0.6	-	$V/^{\circ}C$	Reference to $25^{\circ}C, I_D=250\mu A$
$V_{GS(th)}$	2.0	-	4.0	V	$V_{DS} = V_{GS}, I_D=250\mu A$
* G_{FS}	-	5.3	-	S	$V_{DS} = 15V, I_D=2A$
I_{GSS}	-	-	± 100	nA	$V_{GS}=\pm 30V$
I_{DSS}	-	-	1	μA	$V_{DS} = 650V, V_{GS} = 0V$
	-	-	10		$V_{DS} = 520V, V_{GS} = 0V, T_C=125^{\circ}C$
* $R_{DS(ON)}$	-	2.0	2.6	Ω	$V_{GS} = 10V, I_D=2A$
Dynamic					
* Q_g	-	18.8	-	nC	$I_D=4A, V_{DD}=520V, V_{GS}=10V$
* Q_{gs}	-	3.3	-		
* Q_{gd}	-	8.7	-		
* $t_{d(ON)}$	-	10.6	-	ns	$V_{DD}=325V, I_D=4A, V_{GS}=10V, R_G=25\Omega$
* t_r	-	10.2	-		
* $t_{d(OFF)}$	-	40	-		
* t_f	-	32.8	-		
C_{iss}	-	575	-	pF	$V_{GS}=0V, V_{DS}=25V, f=1MHz$
C_{oss}	-	56	-		
C_{rss}	-	32	-		
Source-Drain Diode					
* I_S	-	-	4	A	
* I_{SM}	-	-	16		
* V_{SD}	-	-	1.5	V	$I_S=2A, V_{GS}=0V$
* t_{rr}	-	330	-	ns	$V_{GS}=0V, I_F=4A, dI_F/dt=100A/\mu s$
* Q_{rr}	-	1.27	-	μC	

*Pulse Test : Pulse Width $\leq 300\mu s$, Duty Cycle $\leq 2\%$

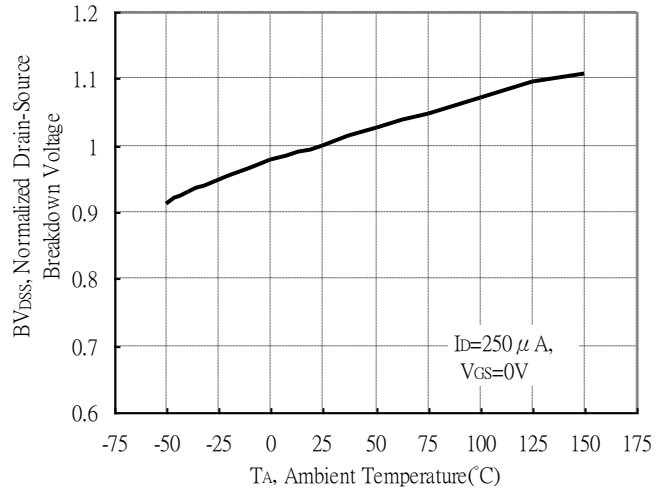


Typical Characteristics

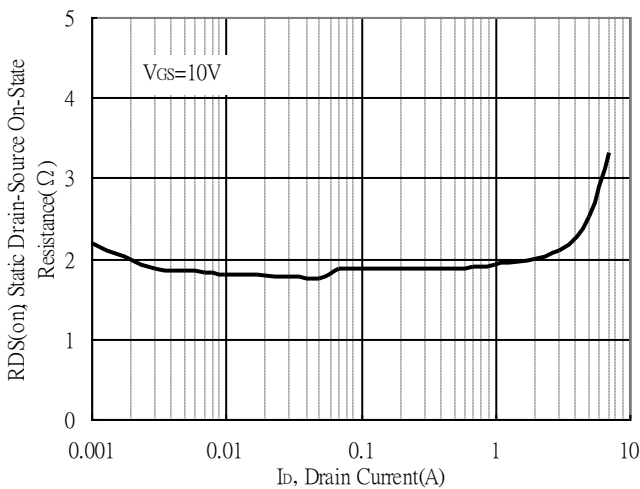
Typical Output Characteristics



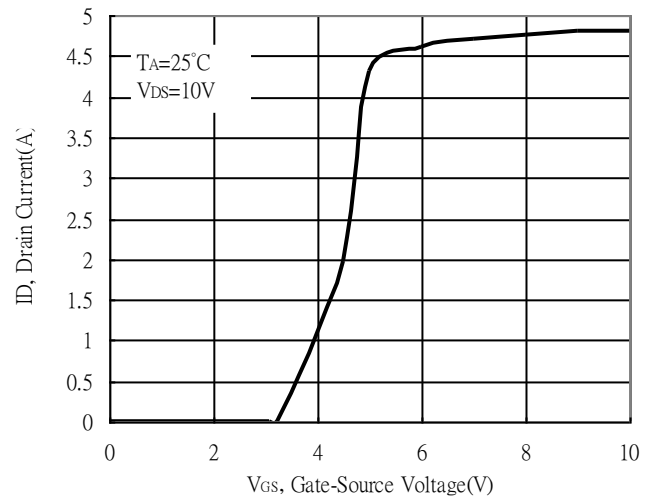
Brekdown Voltage vs Ambient Temperature



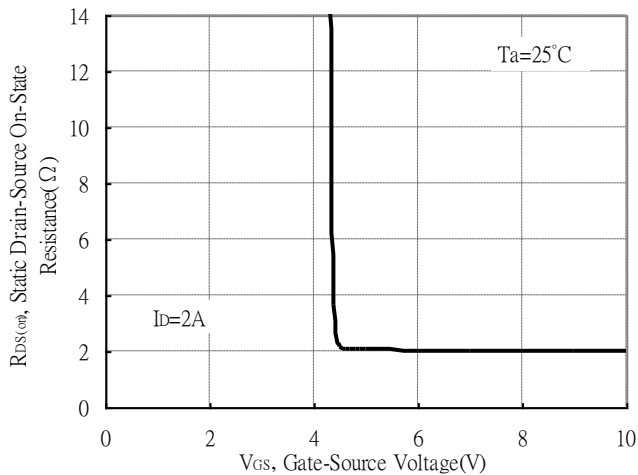
Static Drain-Source On-State resistance vs Drain Current



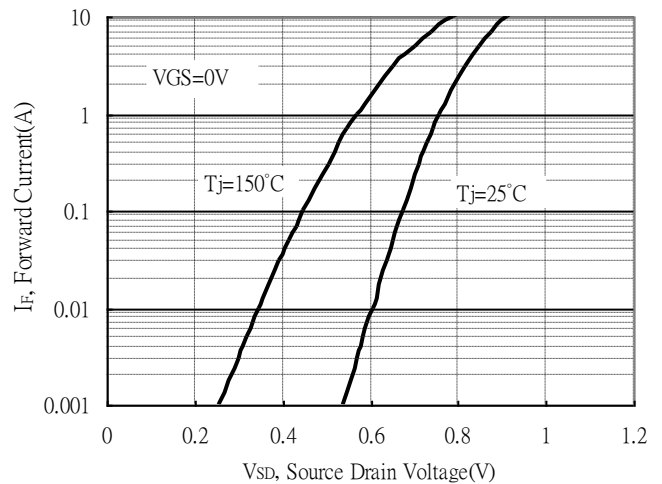
Drain Current vs Gate-Source Voltage



Static Drain-Source On-State Resistance vs Gate-Source Voltage

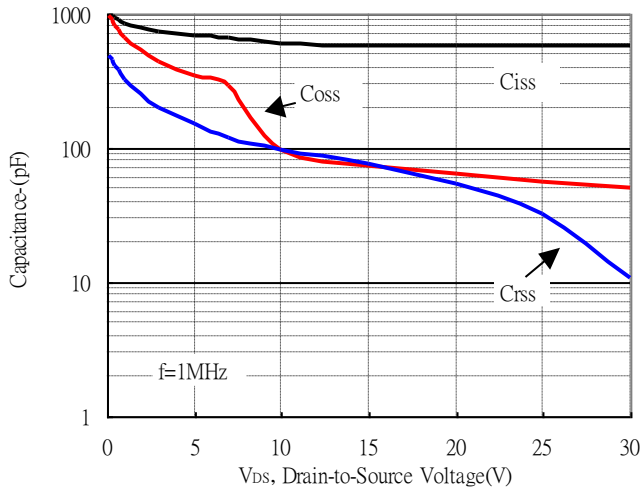


Forward Drain Current vs Source-Drain Voltage

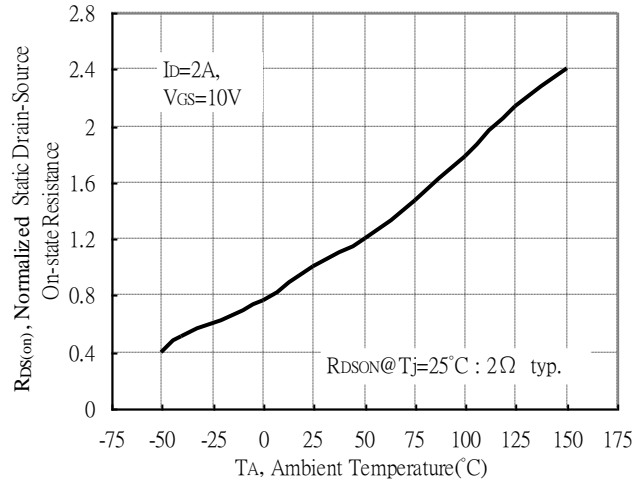


Typical Characteristics(Cont.)

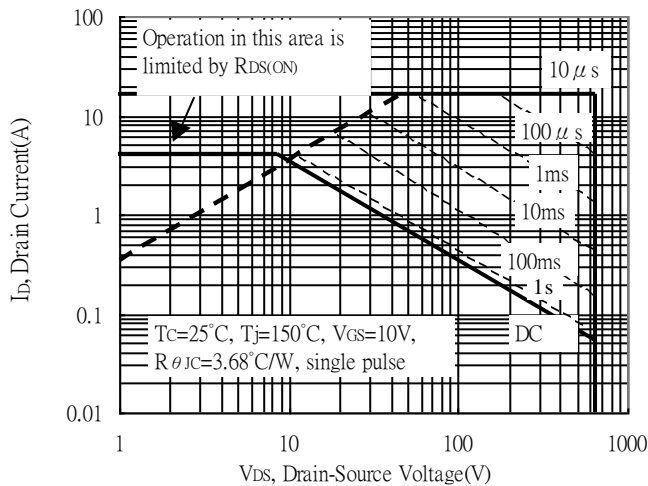
Capacitance vs Reverse Voltage



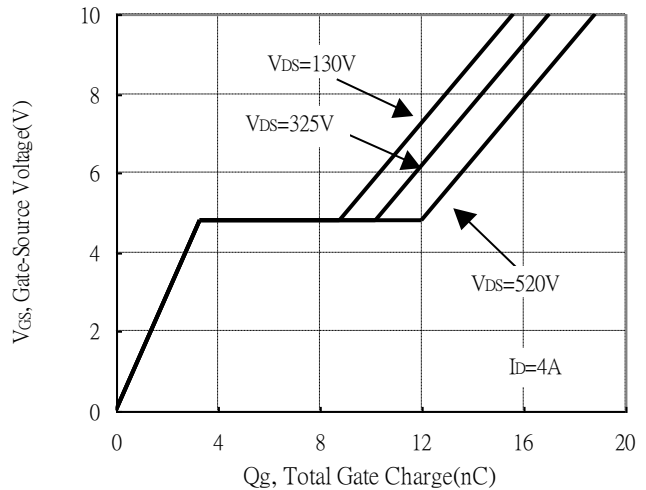
Static Drain-Source On-resistance vs Ambient Temperature



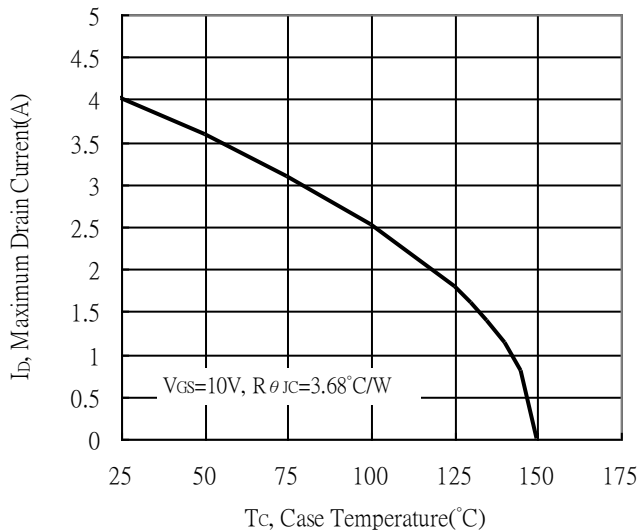
Maximum Safe Operating Area



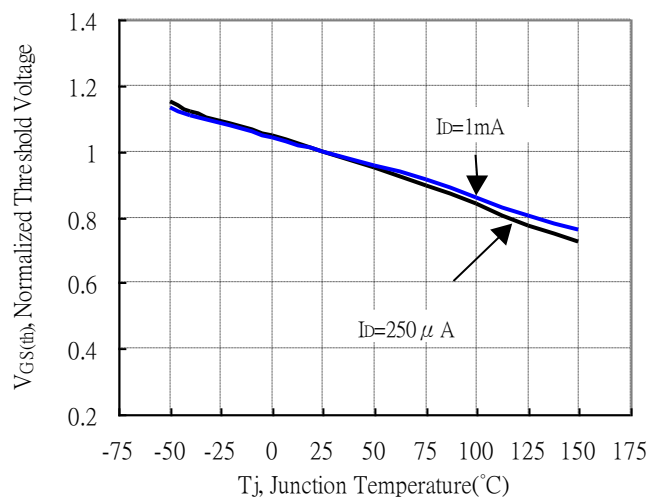
Gate Charge Characteristics



Maximum Drain Current vs Case Temperature



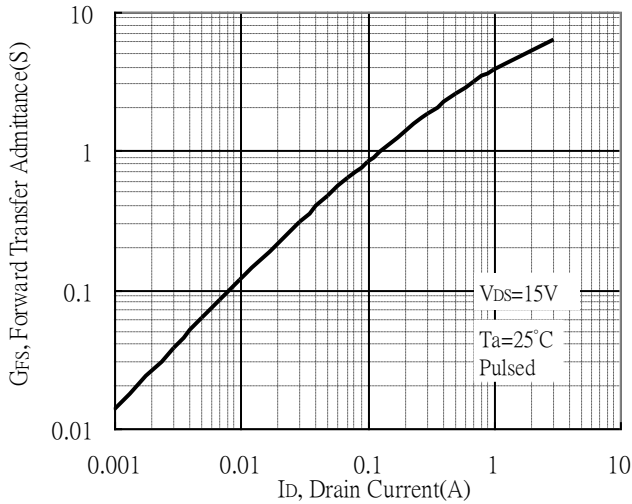
Threshold Voltage vs Junction Temperature



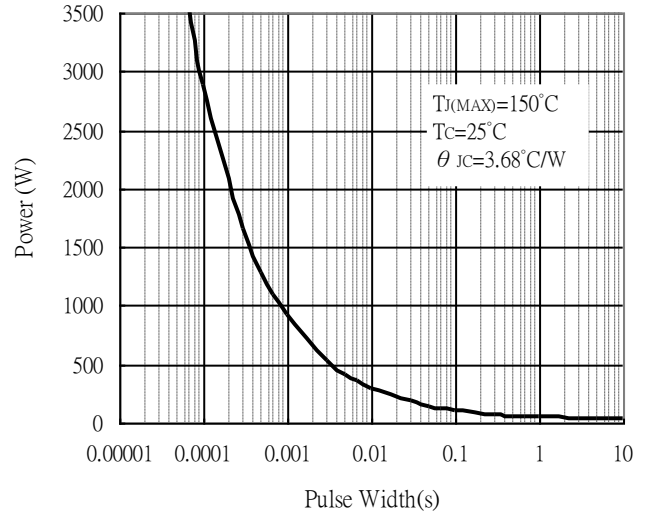


Typical Characteristics(Cont.)

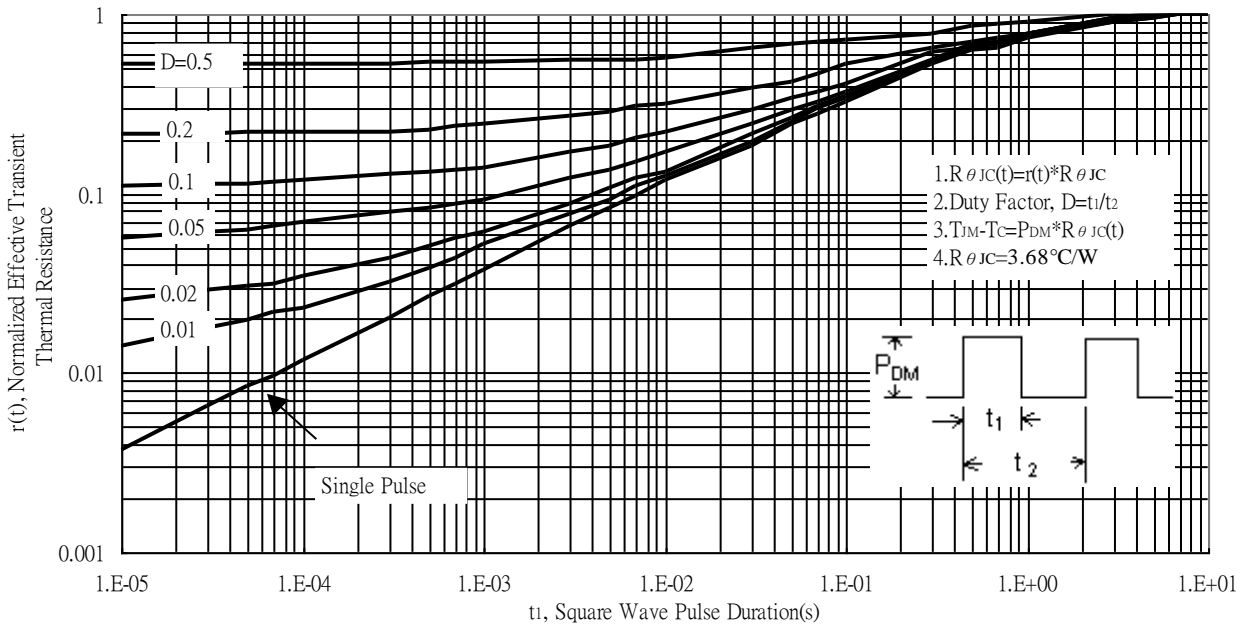
Forward Transfer Admittance vs Drain Current



Single Pulse Power Rating, Junction to Case



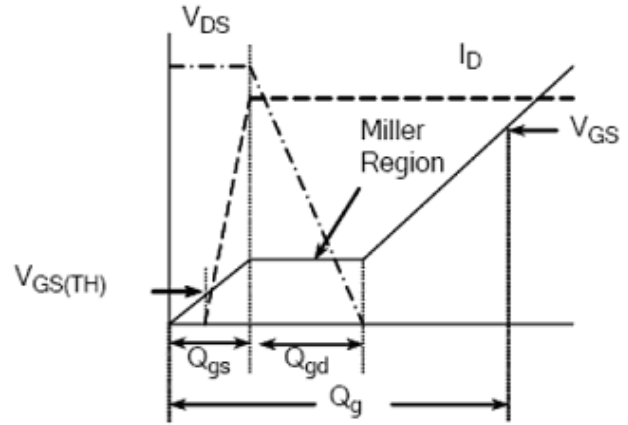
Transient Thermal Response Curves



Test Circuit and Waveforms



Gate Charge Test Circuit



Gate Charge Waveform

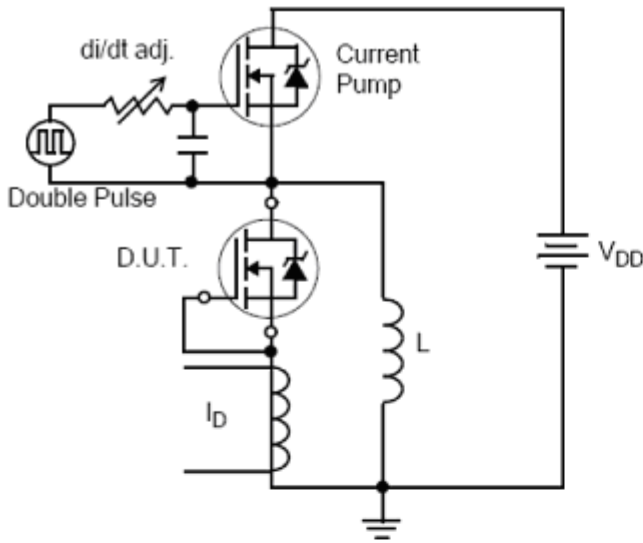


Resistive Switching Test Circuit

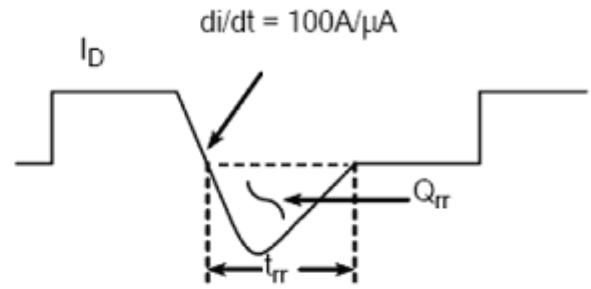


Resistive Switching Waveforms

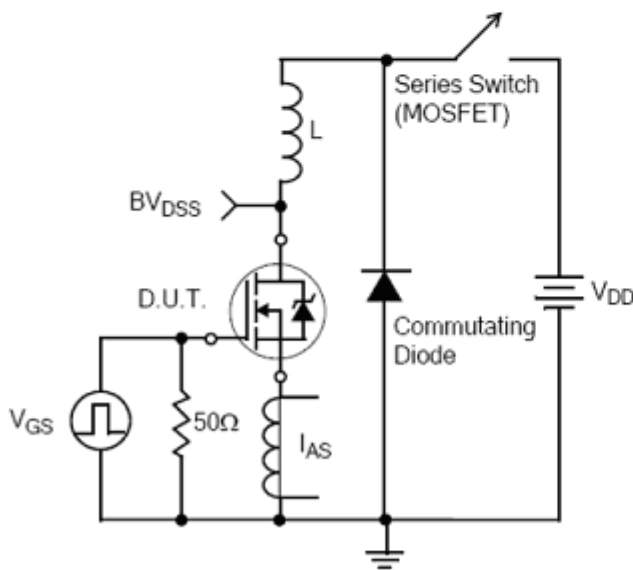
Test Circuit and Waveforms(Cont.)



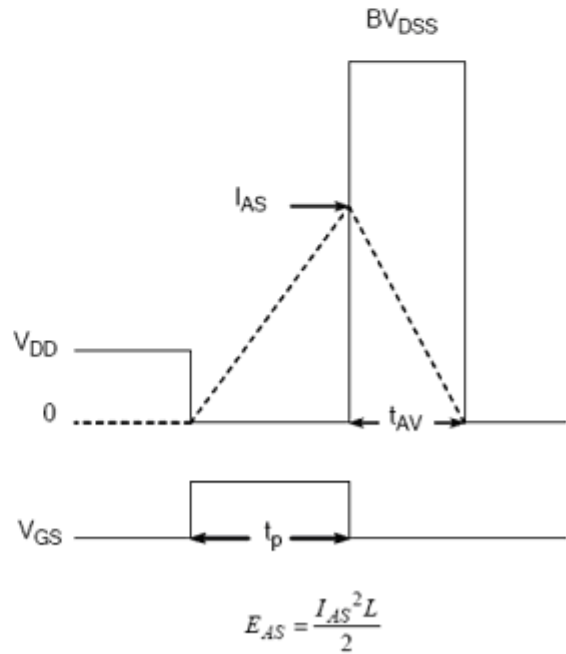
Diode Reverse Recovery Test Circuit



Diode Reverse Recovery Waveform



Unclamped Inductive Switching Test Circuit

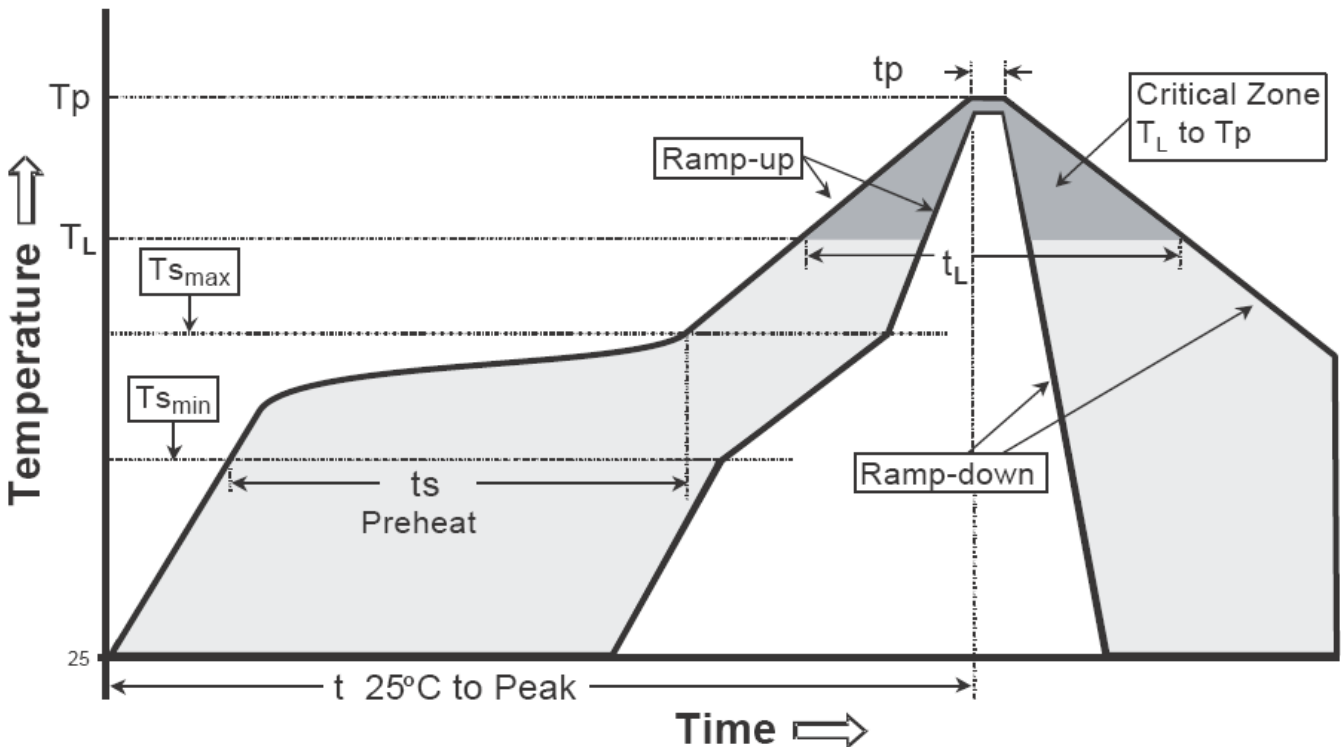


Unclamped Inductive Switching Waveforms

Recommended wave soldering condition

Product	Peak Temperature	Soldering Time
Pb-free devices	260 +0/-5 °C	5 +1/-1 seconds

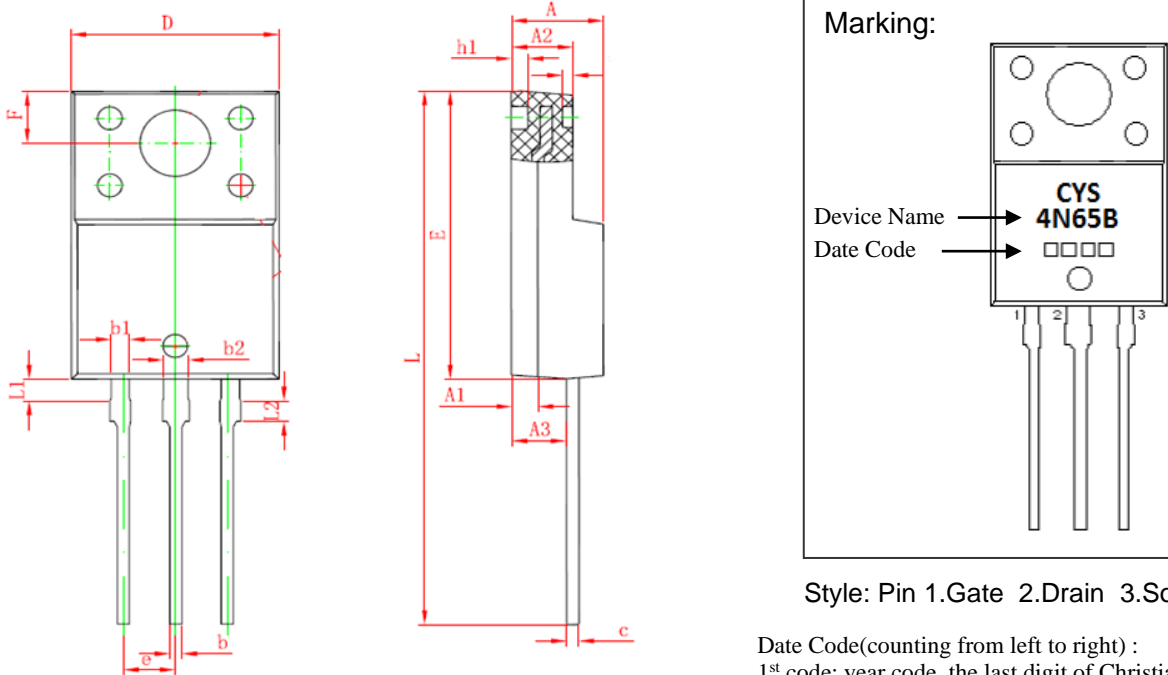
Recommended temperature profile for IR reflow



Profile feature	Sn-Pb eutectic Assembly	Pb-free Assembly
Average ramp-up rate (T _{smax} to T _p)	3°C/second max.	3°C/second max.
Preheat		
-Temperature Min(T _{s min})	100°C	150°C
-Temperature Max(T _{s max})	150°C	200°C
-Time(t _{s min} to t _{s max})	60-120 seconds	60-180 seconds
Time maintained above:		
-Temperature (T _L)	183°C	217°C
- Time (t _L)	60-150 seconds	60-150 seconds
Peak Temperature(T _p)	240 +0/-5 °C	260 +0/-5 °C
Time within 5°C of actual peak temperature(tp)	10-30 seconds	20-40 seconds
Ramp down rate	6°C/second max.	6°C/second max.
Time 25 °C to peak temperature	6 minutes max.	8 minutes max.

Note : All temperatures refer to topside of the package, measured on the package body surface.

TO-220FP Dimension



3-Lead TO-220FP Plastic Package
 CYStek Package Code: FP

Marking:

Device Name → CYS 4N65B
 Date Code → □□□□

Style: Pin 1.Gate 2.Drain 3.Source

Date Code(counting from left to right) :
 1st code: year code, the last digit of Christian year
 2nd code : month code, Jan→A, Feb→B, Mar→C,
 Apr→D, May→E, Jun→F, Jul→G, Aug→H,
 Sep→J, Oct→K, Nov→L, Dec→M
 3rd and 4th codes : production serial number, 01~99

DIM	Inches		Millimeters		DIM	Inches		Millimeters	
	Min.	Max.	Min.	Max.		Min.	Max.	Min.	Max.
A	0.169	0.185	4.35	4.65	e	0.100 TYP		2.54 TYP	
A1	0.051 REF		1.300 REF		F	0.106 REF		2.70 REF	
A2	0.112	0.124	2.85	3.15	Φ	0.138 REF		3.50 REF	
A3	0.102	0.110	2.60	2.80	h	0.000	0.012	0.00	0.30
b	0.020	0.030	0.50	0.75	h1	0.031 REF		0.80 REF	
b1	0.031	0.041	0.80	1.05	h2	0.020 REF		0.50 REF	
b2	0.043	0.053	1.10	1.35	L	1.102	1.118	28.00	28.40
c	0.020	0.030	0.50	0.75	L1	0.043	0.051	1.10	1.30
D	0.392	0.408	9.96	10.36	L2	0.036	0.043	0.92	1.08
E	0.583	0.598	14.80	15.20					

Notes: 1.Controlling dimension: millimeters.
 2.Maximum lead thickness includes lead finish thickness, and minimum lead thickness is the minimum thickness of base material.
 3.If there is any question with packing specification or packing method, please contact your local CYStek sales office.

Material:

- Lead: Pure tin plated.
- Mold Compound: Epoxy resin family, flammability solid burning class: UL94V-0.

Important Notice:

- All rights are reserved. Reproduction in whole or in part is prohibited without the prior written approval of CYStek.
- CYStek reserves the right to make changes to its products without notice.
- CYStek **semiconductor products are not warranted to be suitable for use in Life-Support Applications, or systems.**
- CYStek assumes no liability for any consequence of customer product design, infringement of patents, or application assistance.