



N-Channel Enhancement Mode Power MOSFET

# MTN13N50CE3

<b>BV<sub>DSS</sub></b>	<b>500V</b>
<b>I<sub>D</sub> @ V<sub>GS</sub>=10V, T<sub>C</sub>=25°C</b>	<b>13A</b>
<b>I<sub>D</sub> @ V<sub>GS</sub>=10V, T<sub>C</sub>=100°C</b>	<b>8.2A</b>
<b>R<sub>DS(ON)</sub>@ V<sub>GS</sub>=10V, I<sub>D</sub>=6.5A</b>	<b>0.42 Ω (typ)</b>

## Description

The MTN13N50CE3 is a N-channel enhancement-mode MOSFET, providing the designer with the best combination of fast switching, ruggedized device design, low on-resistance and cost effectiveness. The TO-220 package is universally preferred for all commercial-industrial applications.

## Features

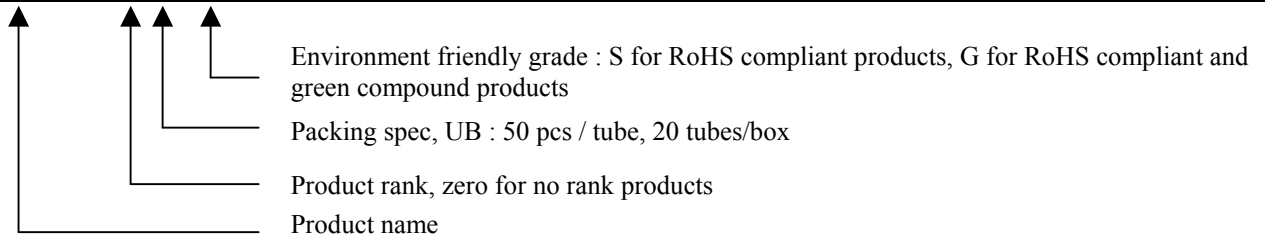
- Low On Resistance
- Simple Drive Requirement
- Fast Switching Characteristic
- RoHS compliant package

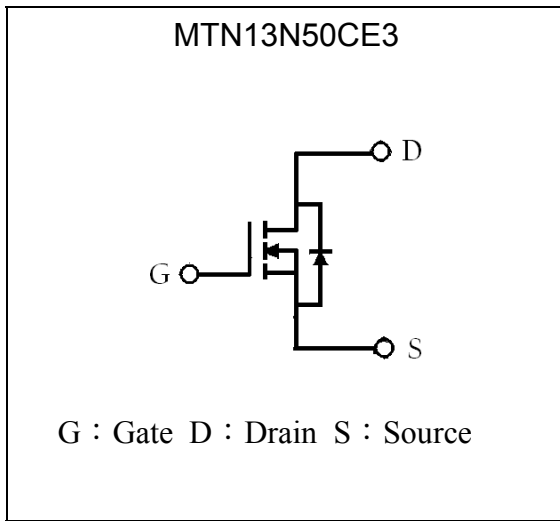
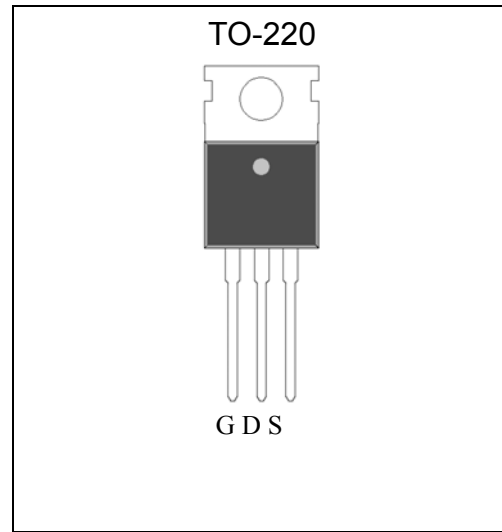
## Applications

- Adapter
- Switching Mode Power Supply

## Ordering Information

Device	Package	Shipping
MTN13N50CE3-0-UB-X	TO-220 (RoHS compliant package)	50 pcs/tube, 20 tubes/box, 4 boxes / carton



**Symbol**

**Outline**

**Absolute Maximum Ratings** (T<sub>c</sub>=25°C)

Parameter	Symbol	Limits	Unit
Drain-Source Voltage (Note 1)	V <sub>DS</sub>	500	V
Gate-Source Voltage	V <sub>GS</sub>	±30	
Continuous Drain Current @T <sub>c</sub> =25°C, V <sub>GS</sub> =10V	I <sub>D</sub>	13*	A
Continuous Drain Current @T <sub>c</sub> =100°C, V <sub>GS</sub> =10V		8.2*	
Pulsed Drain Current @ (Note 2)	I <sub>DM</sub>	52*	
Single Pulse Avalanche Energy @ L=8mH, I <sub>D</sub> =4Amps, V <sub>DD</sub> =50V	E <sub>AS</sub>	64	mJ
Single Pulse Avalanche Current (Note 2)	I <sub>AS</sub>	4	A
Repetitive Avalanche Energy	E <sub>AR</sub>	4.8	mJ
Maximum Temperature for Soldering @ Lead at 0.125 in(0.318mm) from case for 10 seconds	T <sub>L</sub>	300	°C
Total Power Dissipation (T <sub>c</sub> =25°C)	P <sub>D</sub>	195	W
Linear Derating Factor		1.72	W/°C
Operating Junction and Storage Temperature	T <sub>j</sub> , T <sub>stg</sub>	-55~+150	°C

\*Drain current limited by maximum junction temperature

\*100% UIS testing in condition of V<sub>DD</sub>=50V, L=8mH, V<sub>G</sub>=10V, I<sub>L</sub>=3A, Rated V<sub>DS</sub>=500V

Note : 1. T<sub>J</sub>=+25°C to +150°C.

2. Pulse width limited by maximum junction temperature.



**Thermal Data**

Parameter	Symbol	Value	Unit
Thermal Resistance, Junction-to-case, max	R <sub>θJC</sub>	0.64	°C/W
Thermal Resistance, Junction-to-ambient, max	R <sub>θJA</sub>	62.5	

**Characteristics (T<sub>j</sub>=25°C, unless otherwise specified)**

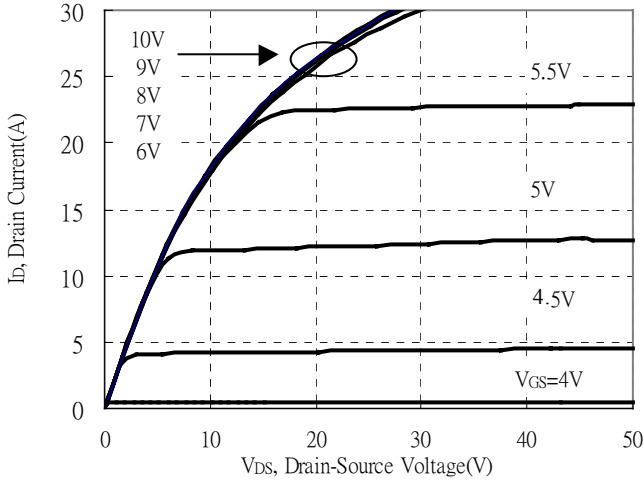
Symbol	Min.	Typ.	Max.	Unit	Test Conditions
<b>Static</b>					
BV <sub>DSS</sub>	500	-	-	V	V <sub>GS</sub> =0V, I <sub>D</sub> =250μA
ΔBV <sub>DSS</sub> /ΔT <sub>j</sub>	-	0.6	-	V/°C	Reference to 25°C, I <sub>D</sub> =250μA
V <sub>GS(th)</sub>	2.0	-	4.0	V	V <sub>DS</sub> = V <sub>GS</sub> , I <sub>D</sub> =250μA
*G <sub>FS</sub>	-	15	-	S	V <sub>DS</sub> =15V, I <sub>D</sub> =6.5A
I <sub>GSS</sub>	-	-	±100	nA	V <sub>GS</sub> =±30V, V <sub>DS</sub> =0V
I <sub>DSS</sub>	-	-	1	μA	V <sub>DS</sub> =500V, V <sub>GS</sub> =0V
I <sub>DSS</sub>	-	-	10		V <sub>DS</sub> =400V, V <sub>GS</sub> =0V, T <sub>j</sub> =125°C
*R <sub>DS(ON)</sub>	-	0.42	0.53	Ω	V <sub>GS</sub> =10V, I <sub>D</sub> =6.5A
<b>Dynamic</b>					
*Q <sub>g</sub>	-	35.8	-	nC	I <sub>D</sub> =13A, V <sub>DD</sub> =250V, V <sub>GS</sub> =10V
*Q <sub>gs</sub>	-	7.6	-		
*Q <sub>gd</sub>	-	10.8	-		
*t <sub>d(ON)</sub>	-	17	-	ns	V <sub>DD</sub> =250V, I <sub>D</sub> =13A, V <sub>GS</sub> =10V, R <sub>G</sub> =9.1 Ω
*t <sub>r</sub>	-	16.8	-		
*t <sub>d(OFF)</sub>	-	63.4	-		
*t <sub>f</sub>	-	31.8	-		
C <sub>iss</sub>	-	1479	-	pF	V <sub>GS</sub> =0V, V <sub>DS</sub> =25V, f=1MHz
C <sub>oss</sub>	-	150	-		
C <sub>rss</sub>	-	36	-		
<b>Source-Drain Diode</b>					
*I <sub>S</sub>	-	-	13	A	
*I <sub>SM</sub>	-	-	52		
*V <sub>SD</sub>	-	0.79	1.2	V	I <sub>S</sub> =6.5A, V <sub>GS</sub> =0V
*t <sub>rr</sub>	-	318	-	ns	V <sub>GS</sub> =0V, I <sub>F</sub> =13A, dI <sub>F</sub> /dt=100A/μs
*Q <sub>rr</sub>	-	3.02	-	μC	

\*Pulse Test : Pulse Width ≤300μs, Duty Cycle≤2%

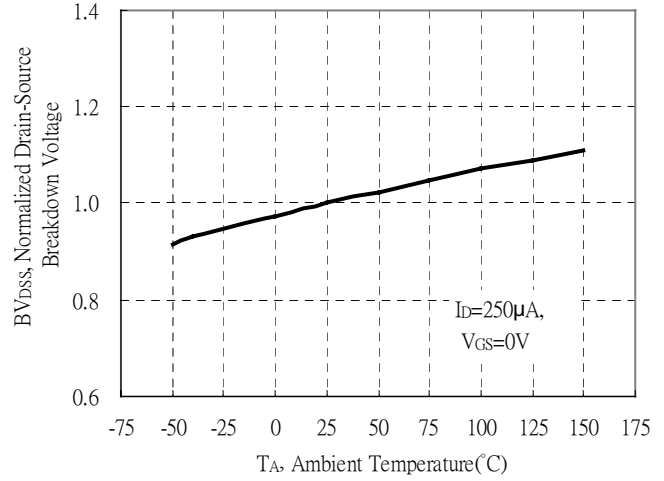


## Typical Characteristics

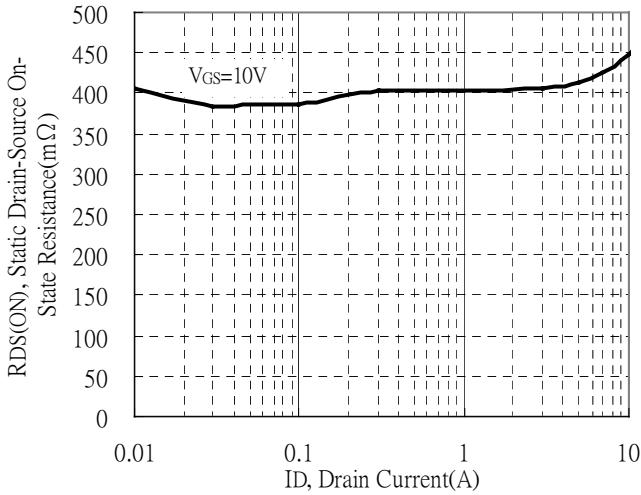
Typical Output Characteristics



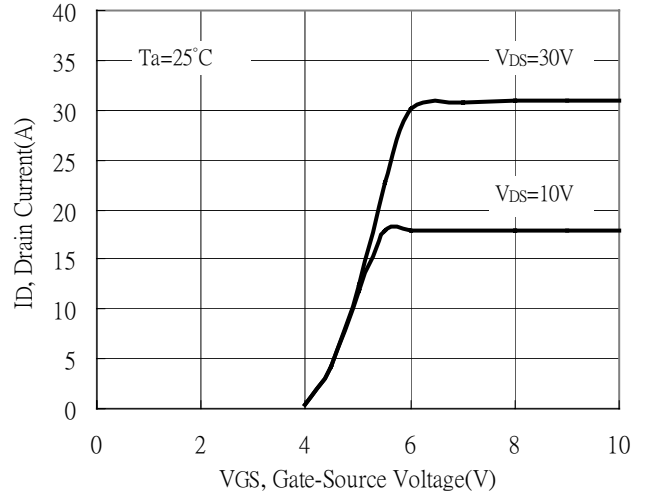
Brekdown Voltage vs Ambient Temperature



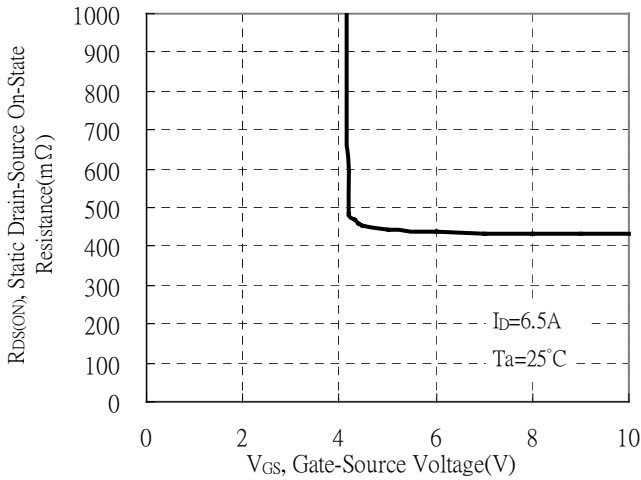
Static Drain-Source On-State resistance vs Drain Current



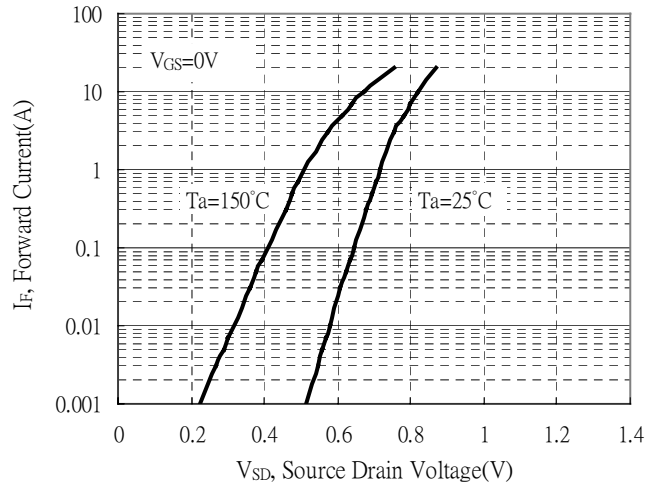
Drain Current vs Gate-Source Voltage



Static Drain-Source On-State Resistance vs Gate-Source Voltage



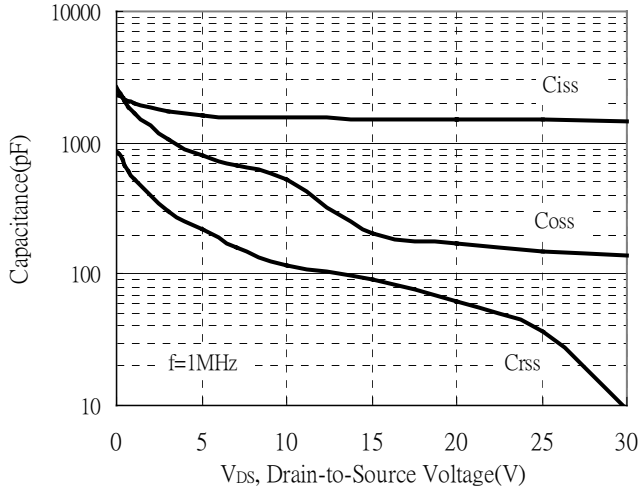
Forward Drain Current vs Source-Drain Voltage



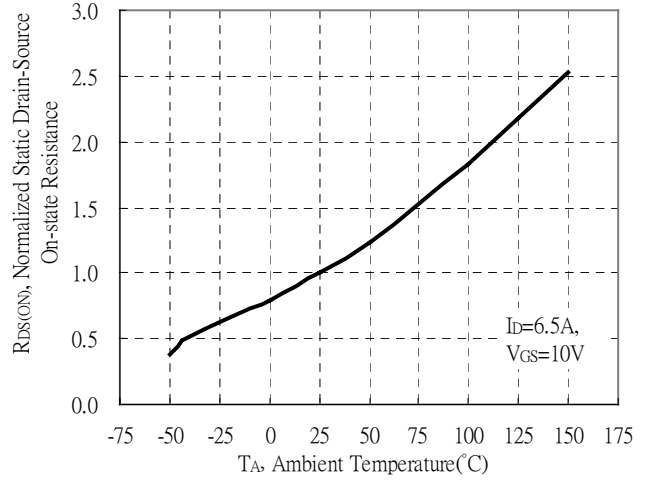


**Typical Characteristics(Cont.)**

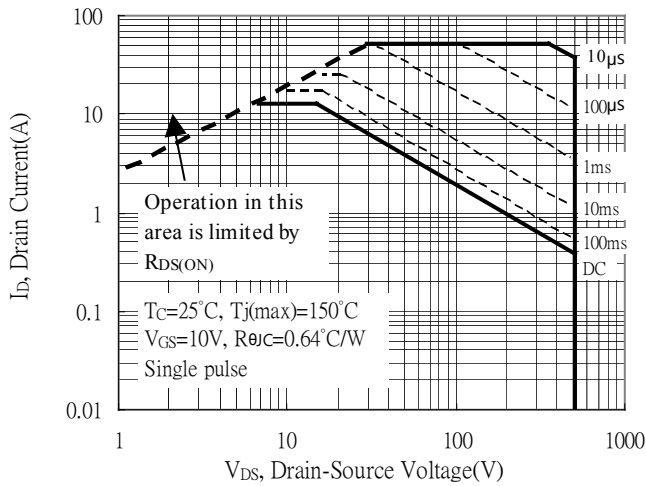
Capacitance vs Reverse Voltage



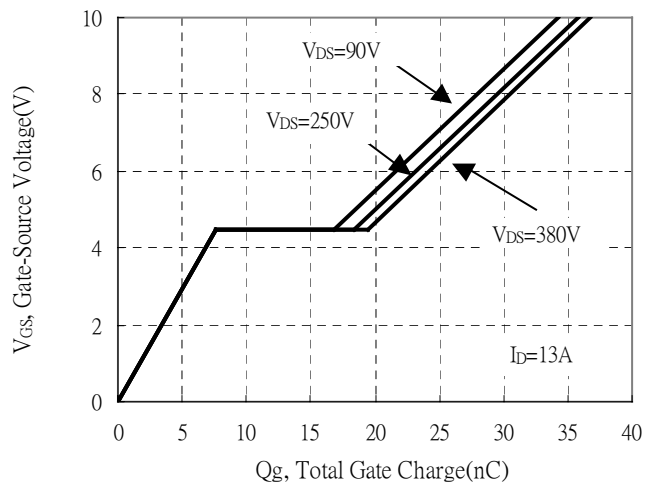
Static Drain-Source On-resistance vs Ambient Temperature



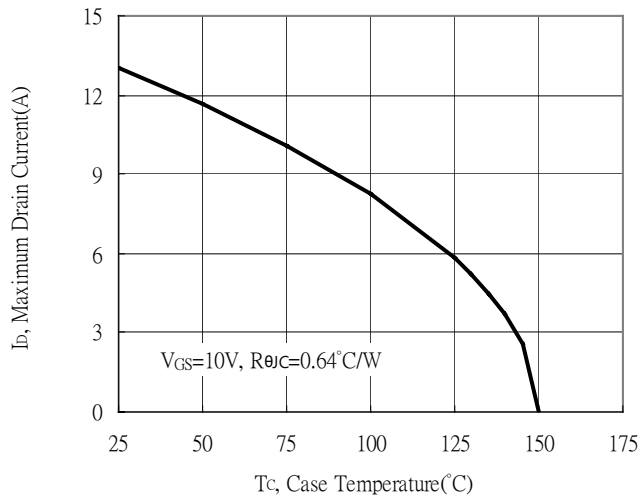
Maximum Safe Operating Area



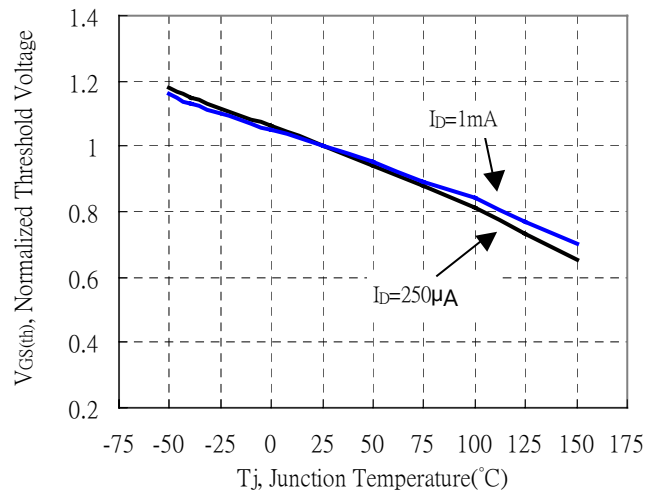
Gate Charge Characteristics



Maximum Drain Current vs Case Temperature



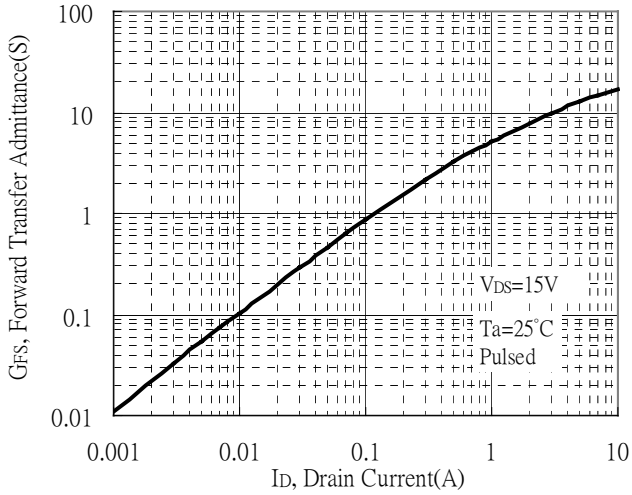
Threshold Voltage vs Junction Temperature



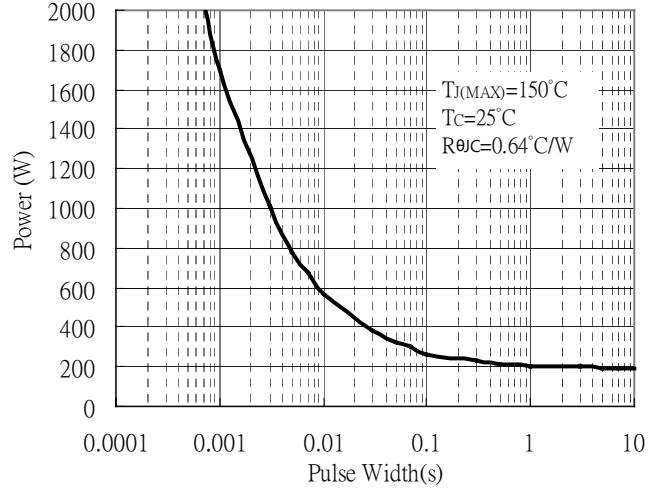


**Typical Characteristics(Cont.)**

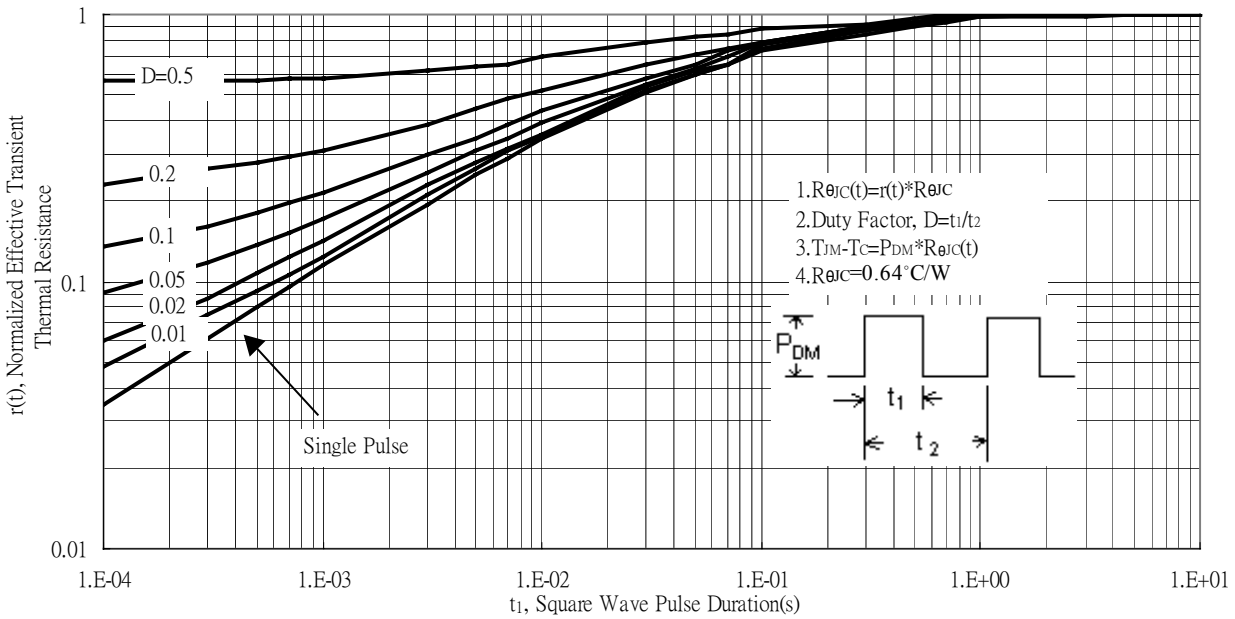
Forward Transfer Admittance vs Drain Current



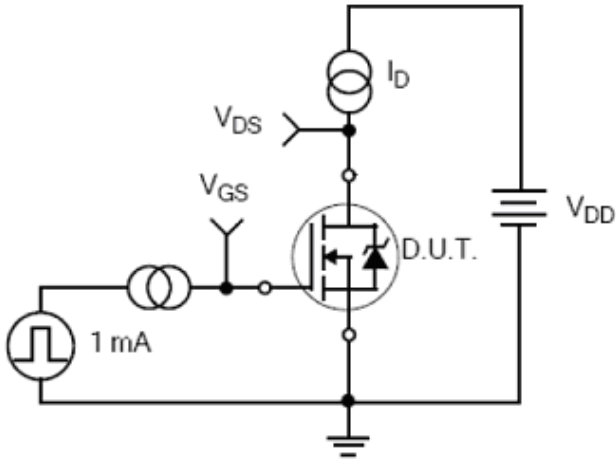
Single Pulse Power Rating, Junction to Case



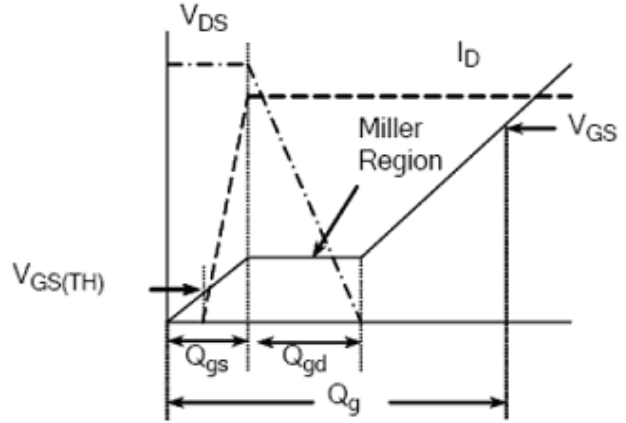
Transient Thermal Response Curves



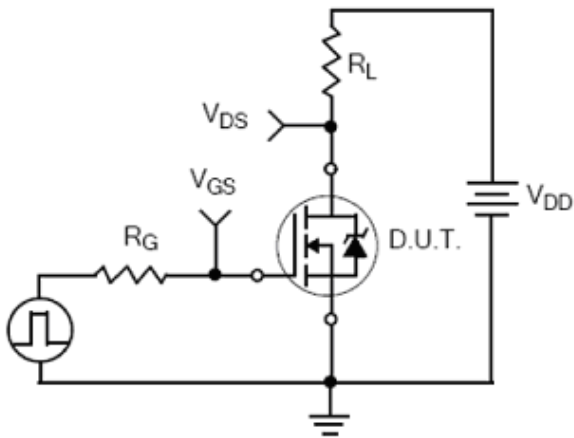
**Test Circuit and Waveforms**



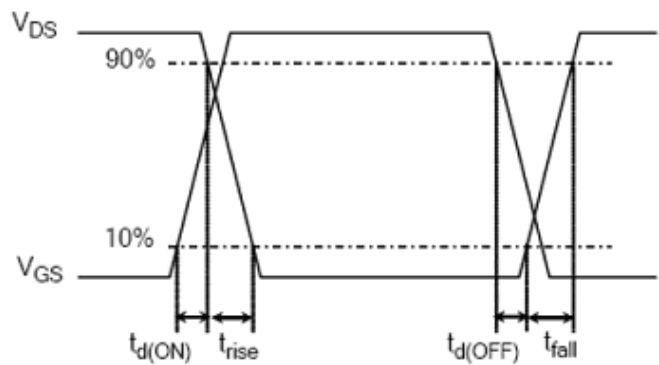
**Gate Charge Test Circuit**



**Gate Charge Waveform**

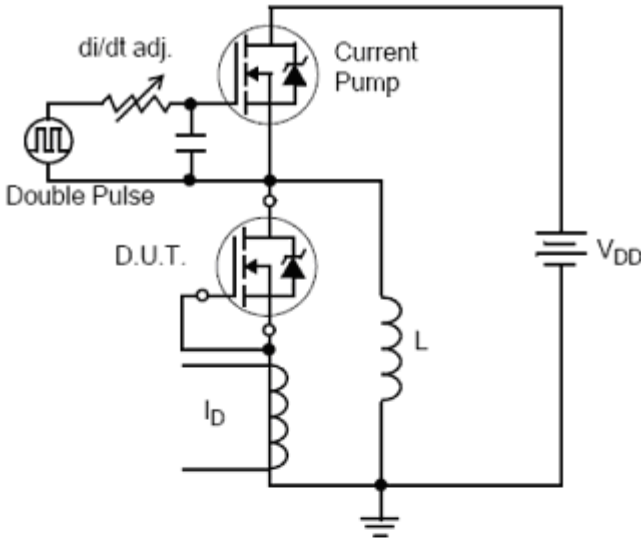


**Resistive Switching Test Circuit**

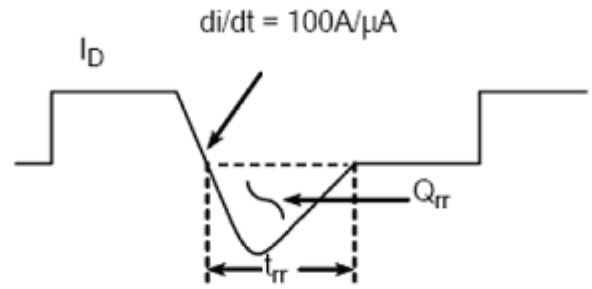


**Resistive Switching Waveforms**

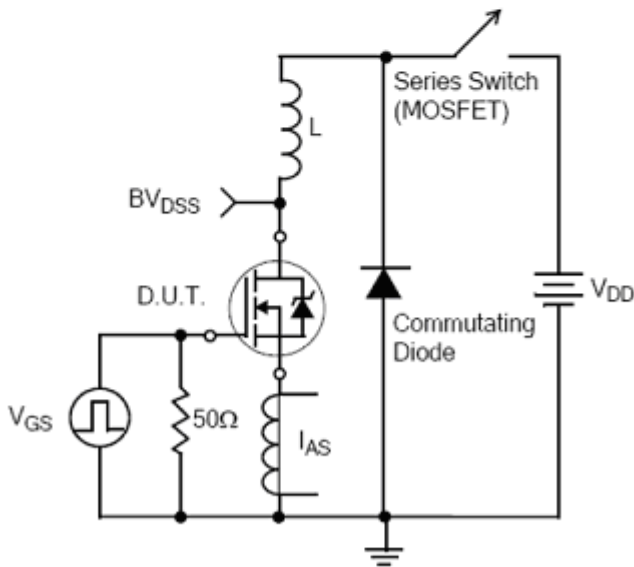
**Test Circuit and Waveforms(Cont.)**



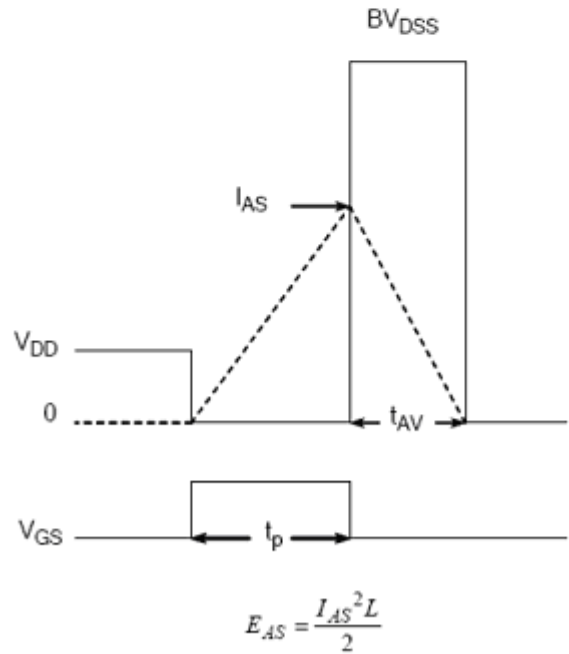
**Diode Reverse Recovery Test Circuit**



**Diode Reverse Recovery Waveform**



**Unclamped Inductive Switching Test Circuit**



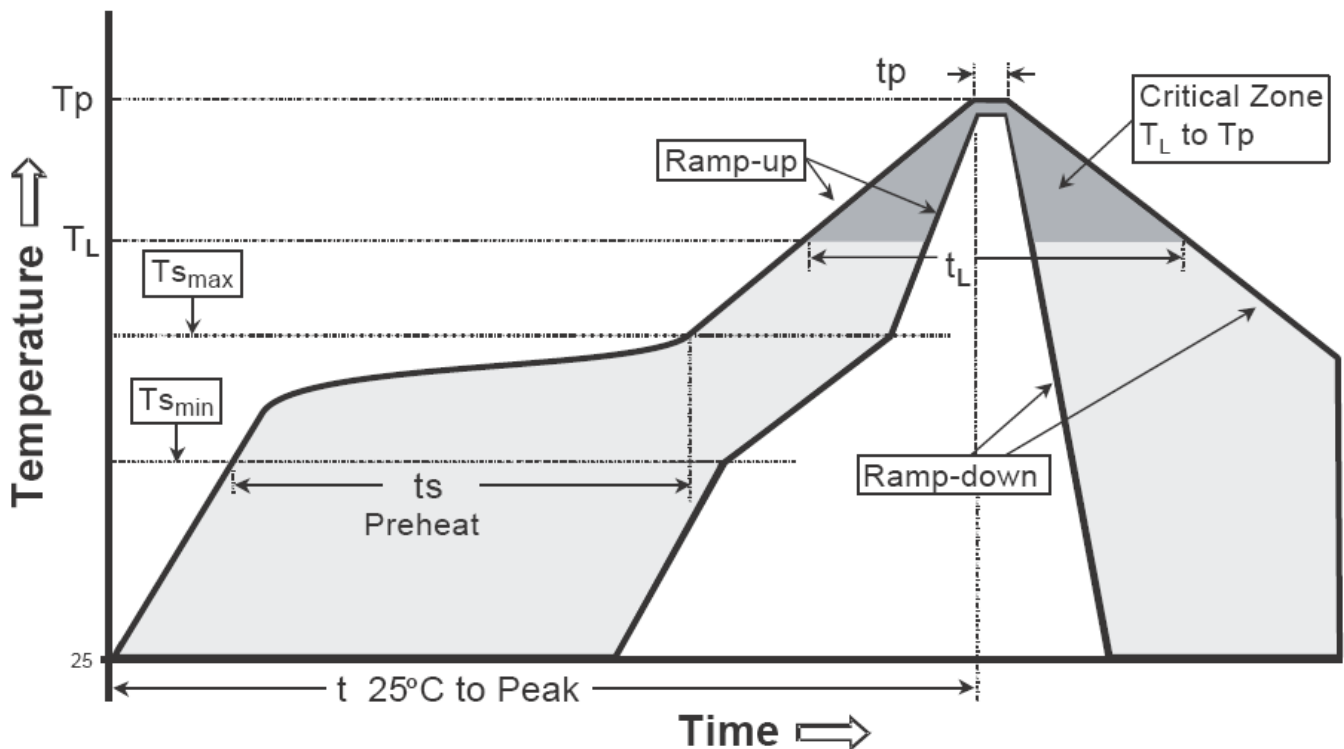
**Unclamped Inductive Switching Waveforms**



**Recommended wave soldering condition**

Product	Peak Temperature	Soldering Time
Pb-free devices	260 +0/-5 °C	5 +1/-1 seconds

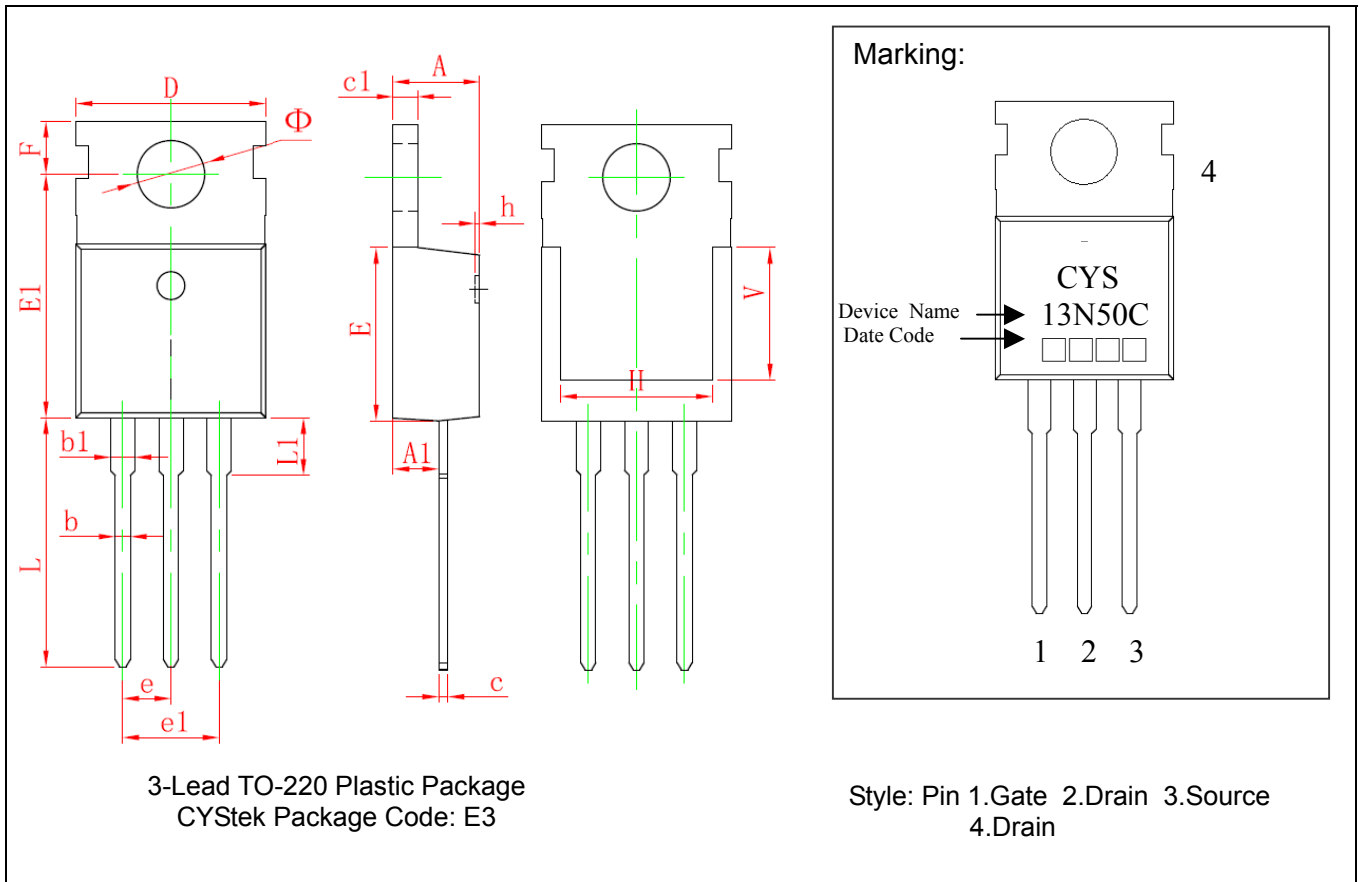
**Recommended temperature profile for IR reflow**



Profile feature	Sn-Pb eutectic Assembly	Pb-free Assembly
Average ramp-up rate (T <sub>smax</sub> to T <sub>p</sub> )	3°C/second max.	3°C/second max.
Preheat		
-Temperature Min(T <sub>s min</sub> )	100°C	150°C
-Temperature Max(T <sub>s max</sub> )	150°C	200°C
-Time(t <sub>s min</sub> to t <sub>s max</sub> )	60-120 seconds	60-180 seconds
Time maintained above:		
-Temperature (T <sub>L</sub> )	183°C	217°C
- Time (t <sub>L</sub> )	60-150 seconds	60-150 seconds
Peak Temperature(T <sub>P</sub> )	240 +0/-5 °C	260 +0/-5 °C
Time within 5°C of actual peak temperature(tp)	10-30 seconds	20-40 seconds
Ramp down rate	6°C/second max.	6°C/second max.
Time 25 °C to peak temperature	6 minutes max.	8 minutes max.

Note : All temperatures refer to topside of the package, measured on the package body surface.

**TO-220 Dimension**



\*: Typical

DIM	Millimeters		Inches		DIM	Millimeters		Inches	
	Min.	Max.	Min.	Max.		Min.	Max.	Min.	Max.
A	4.400	4.600	0.173	0.181	e	2.540*		0.100*	
A1	2.250	2.550	0.089	0.100	e1	4.980	5.180	0.196	0.204
b	0.710	0.910	0.028	0.036	F	2.650	2.950	0.104	0.116
b1	1.170	1.370	0.046	0.054	H	7.900	8.100	0.311	0.319
c	0.330	0.650	0.013	0.026	h	0.000	0.300	0.000	0.012
c1	1.200	1.400	0.047	0.055	L	12.900	13.400	0.508	0.528
D	9.910	10.250	0.390	0.404	L1	2.850	3.250	0.112	0.128
E	8.950	9.750	0.352	0.384	V	7.500	REF	0.295	REF
E1	12.650	12.950	0.498	0.510	Φ	3.400	3.800	0.134	0.150

Notes: 1.Controlling dimension: millimeters.  
 2.Maximum lead thickness includes lead finish thickness, and minimum lead thickness is the minimum thickness of base material.  
 3.If there is any question with packing specification or packing method, please contact your local CYStek sales office.

**Material:**

- Lead: Pure tin plated.
- Mold Compound: Epoxy resin family, flammability solid burning class: UL94V-0.

**Important Notice:**

- All rights are reserved. Reproduction in whole or in part is prohibited without the prior written approval of CYStek.
- CYStek reserves the right to make changes to its products without notice.
- CYStek **semiconductor products are not warranted to be suitable for use in Life-Support Applications, or systems.**
- CYStek assumes no liability for any consequence of customer product design, infringement of patents, or application assistance.