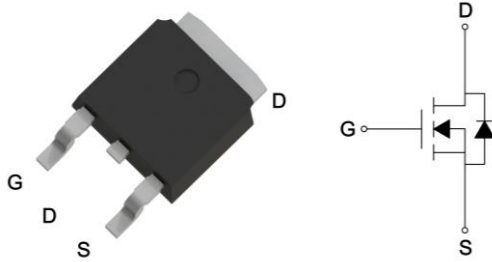


Product Summary

BV_{DSS}	150	V
$R_{DS(ON)}$ typ. @ $V_{GS}=10V, I_D=5A$	36	mΩ
$R_{DS(ON)}$ typ. @ $V_{GS}=4.5V, I_D=4A$	42	
I_D @ $V_{GS}=10V, T_C=25^\circ C$	23	A
I_D @ $V_{GS}=10V, T_A=25^\circ C$	5	

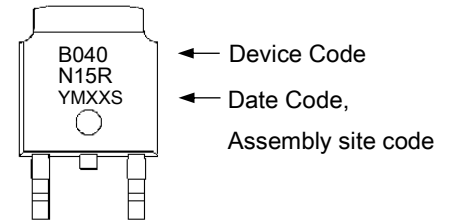
TO-252



Features

- Low Gate Charge
- Fast Switching Characteristic
- Pb-free lead plating and halogen-free

Marking



YMXX: Date Code Marking

Y: Year Code, the last digit of Christian year

M: Month Code

A: Jan	B: Feb	C: Mar	D: Apr	E: May	F: Jun
G: Jul	H: Aug	J: Sep	K: Oct	L: Nov	M: Dec

XX: Production Serial Number, 01~99

S: Assembly site code, Site 1:G

Ordering Information

Device	Package	Shipping
MTB040N15RJ3-0-T3-G	TO-252	2500pcs / Tape & Reel

0: Product rank, zero for no rank products.

T3: Packing spec, T3 : 2500pcs / tape & reel, 13" reel

G: Environment friendly grade: S for RoHS compliant products, G for RoHS compliant and green compound products.

Absolute Maximum Ratings ($T_A=25^\circ C$)

Parameter	Symbol	Value	Unit	
Drain-Source Voltage	V_{DS}	150	V	
Gate-Source Voltage	V_{GS}	± 20		
Continuous Drain Current @ $V_{GS}=10V, T_C=25^\circ C$	I_D	23	A	
Continuous Drain Current @ $V_{GS}=10V, T_C=100^\circ C$		15		
Continuous Drain Current @ $V_{GS}=10V, T_A=25^\circ C$		5		
Continuous Drain Current @ $V_{GS}=10V, T_A=70^\circ C$		4		
Pulsed Drain Current	I_{DM}	80		
Continuous Body Diode Forward Current @ $T_C=25^\circ C$	I_S	23		
Pulsed Body Diode Forward Current @ $T_C=25^\circ C$	I_{SM}	80		
Avalanche Current @ $L=0.1mH$	I_{AS}	14		
Avalanche Energy @ $L=0.5mH$	E_{AS}	20	mJ	
Total Power Dissipation	P_D	$T_C=25^\circ C$	60	W
		$T_C=100^\circ C$	24	
		$T_A=25^\circ C$	3.1	
		$T_A=70^\circ C$	2	
Operating Junction and Storage Temperature Range	T_J, T_{stg}	-55~+150	$^\circ C$	
Steady State Thermal Resistance, Junction-to-Case	$R_{\theta JC}$	2.1	$^\circ C/W$	
Steady State Thermal Resistance, Junction-to-Ambient	$R_{\theta JA}$	40		



Electrical Characteristics (T_A=25°C, unless otherwise specified)

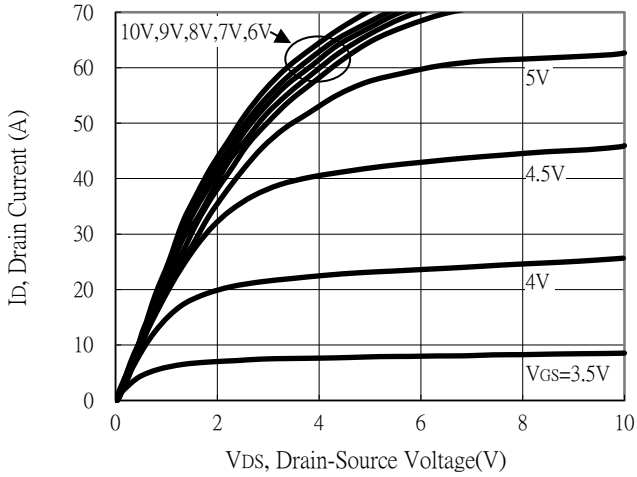
Symbol	Min.	Typ.	Max.	Unit	Test Conditions
Static					
BV _{DSS}	150	-	-	V	V _{GS} =0V, I _D =250μA
V _{GS(th)}	1	-	2.5		V _{DS} =V _{GS} , I _D =250μA
G _{FS}	-	11	-	S	V _{DS} =10V, I _D =5A
I _{GSS}	-	-	±100	nA	V _{GS} =±20V, V _{DS} =0V
I _{DSS}	-	-	1	μA	V _{DS} =120V, V _{GS} =0V
R _{DS(ON)}	-	36	47	mΩ	V _{GS} =10V, I _D =5A
	-	42	60		V _{GS} =4.5V, I _D =4A
Dynamic					
C _{iss}	-	1050	-	pF	V _{DS} =75V, V _{GS} =0V, f=1MHz
C _{oss}	-	80	-		
C _{rss}	-	23	-		
R _g	-	1.1	-	Ω	f=1MHz
Q _g *d,e	-	10	-	nC	V _{DS} =75V, I _D =5A, V _{GS} =4.5V
Q _g *d,e	-	19	-		
Q _{gs} *d,e	-	3.5	-		
Q _{gd} *d,e	-	4.2	-		
t _{d(ON)} *d,e	-	11	-	ns	V _{DS} =75V, I _D =5A, V _{GS} =10V
t _r *d,e	-	15	-		
t _{d(OFF)} *d,e	-	28	-		
t _f *d,e	-	5.6	-		
Source-Drain Diode					
V _{SD} *d	-	0.82	1.2	V	I _S =5A, V _{GS} =0V
t _{rr}	-	48	-	ns	I _F =5A, di/dt=100A/μs
Q _{rr}	-	98	-	nC	

Note:

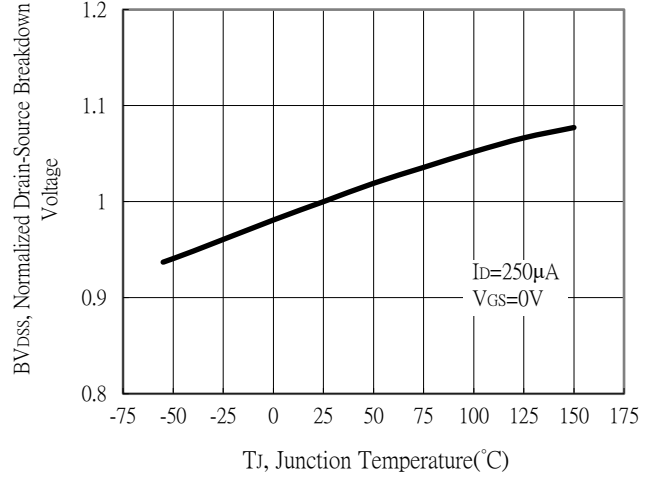
- *a. The power dissipation P_D is based on T_{J(MAX)}=150°C, using junction-to-case thermal resistance, and is more useful in setting the upper Dissipation.
- *b. The value of R_{θJA} is measured with the device mounted on 1in² FR-4 board with 2oz copper, in a still air environment with T_A=25°C. The power dissipation P_D is based on R_{θJA} and the maximum allowed junction temperature of 150°C. The value in any given application depends on the user's specific board design.
- *c. Repetitive rating, pulse width limited by junction temperature T_{J(MAX)}=150°C. Ratings are based on low frequency and low duty cycles to keep initial T_J=25°C.
- *d. Pulse Test : Pulse Width≤300μs, Duty Cycle≤2%.
- *e. Independent of operating temperature.

Typical Characteristics

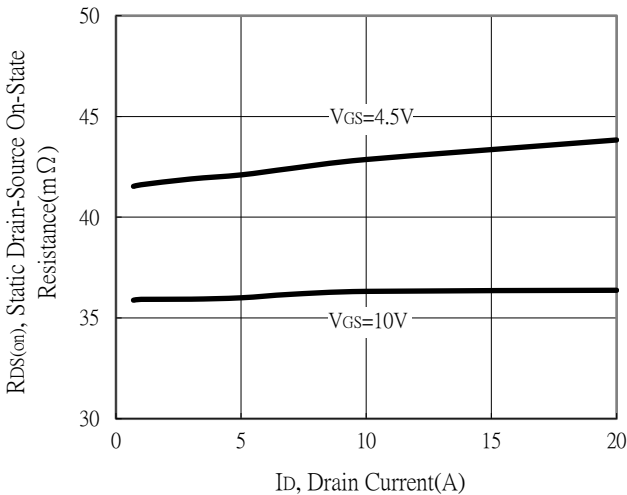
Typical Output Characteristics



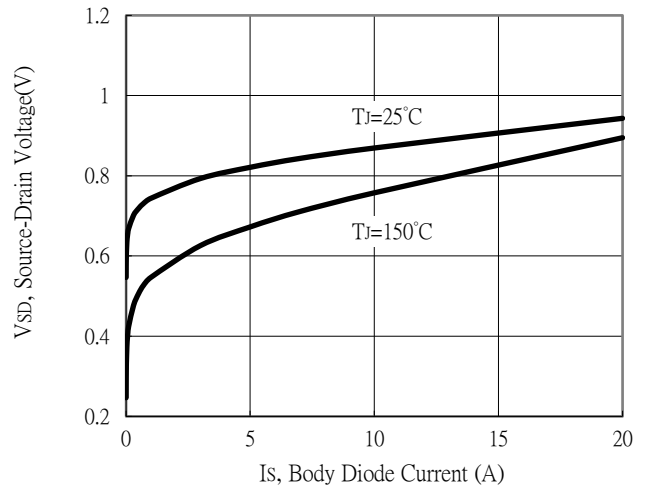
Breakdown Voltage vs Ambient Temperature



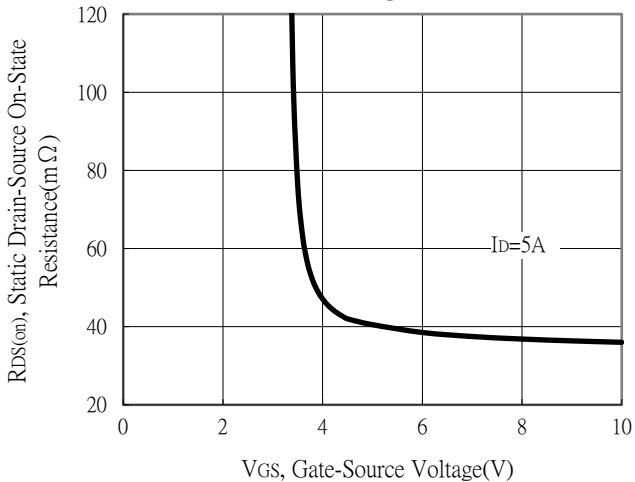
Static Drain-Source On-State resistance vs Drain Current



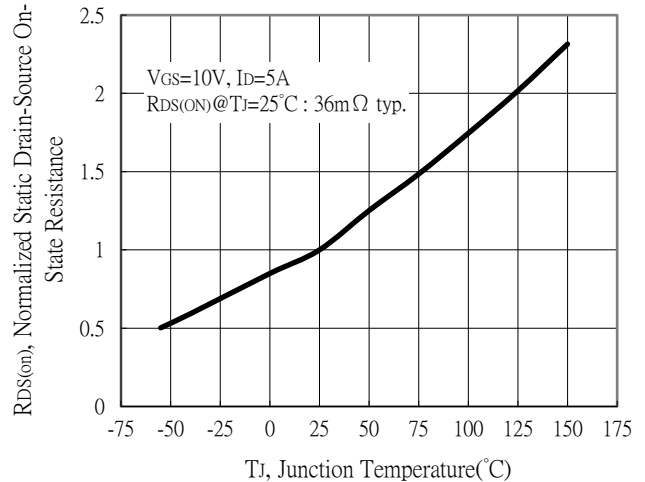
Body Diode Current vs Source-Drain Voltage



Static Drain-Source On-State Resistance vs Gate-Source Voltage

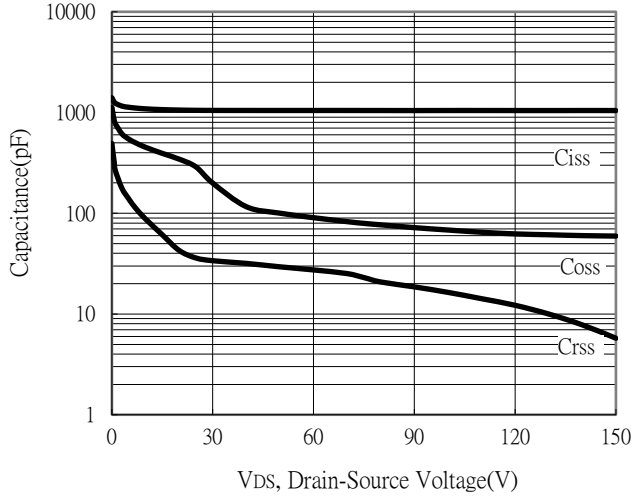


Drain-Source On-State Resistance vs Junction Temperature

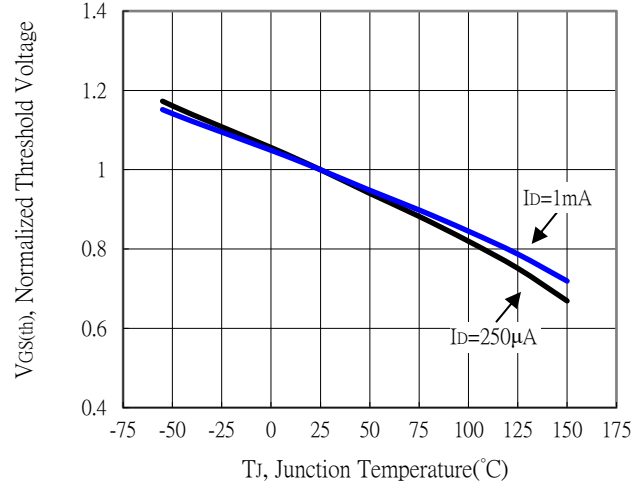


Typical Characteristics

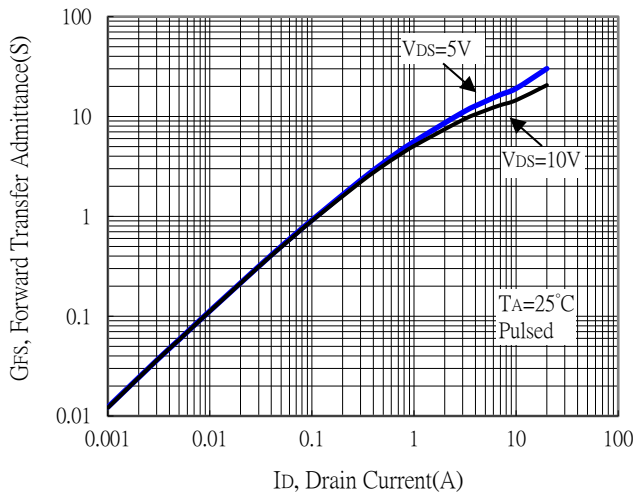
Capacitance vs Drain-to-Source Voltage



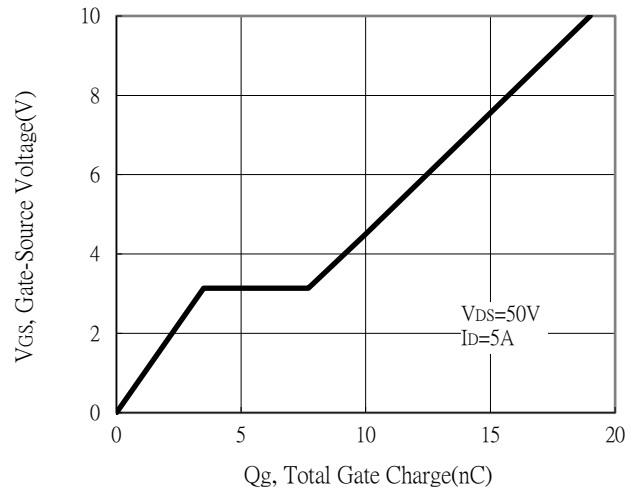
Threshold Voltage vs Junction Temperature



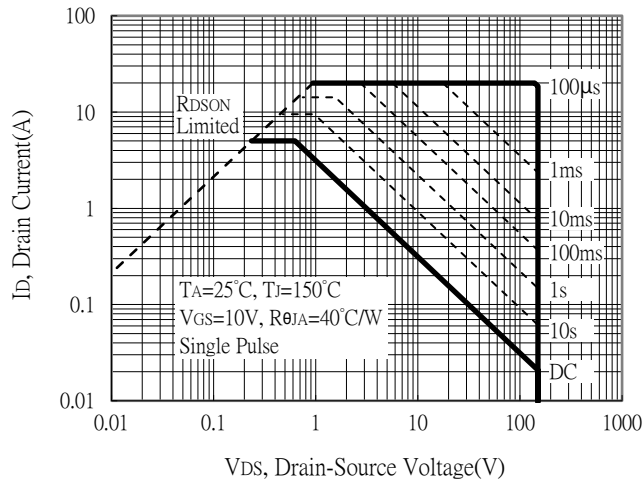
Forward Transfer Admittance vs Drain Current



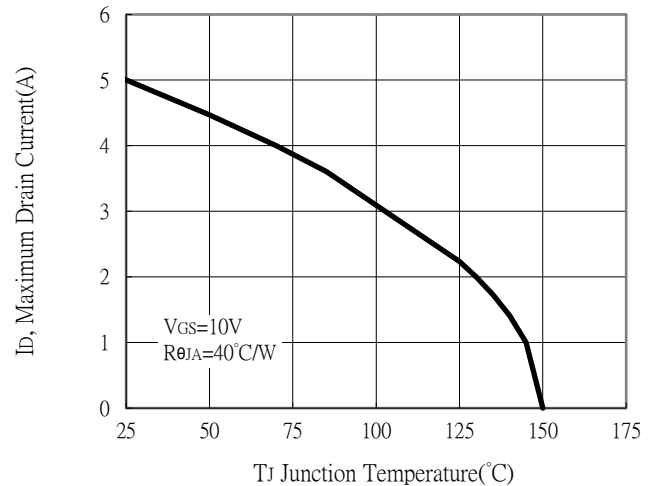
Gate Charge Characteristics



Maximum Safe Operating Area

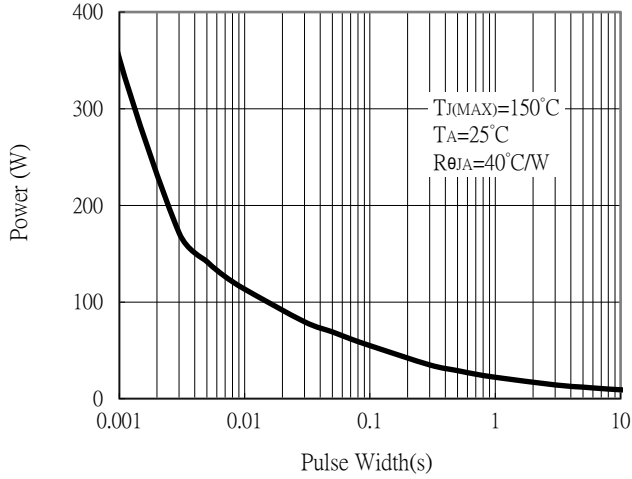


Maximum Drain Current vs Junction Temperature

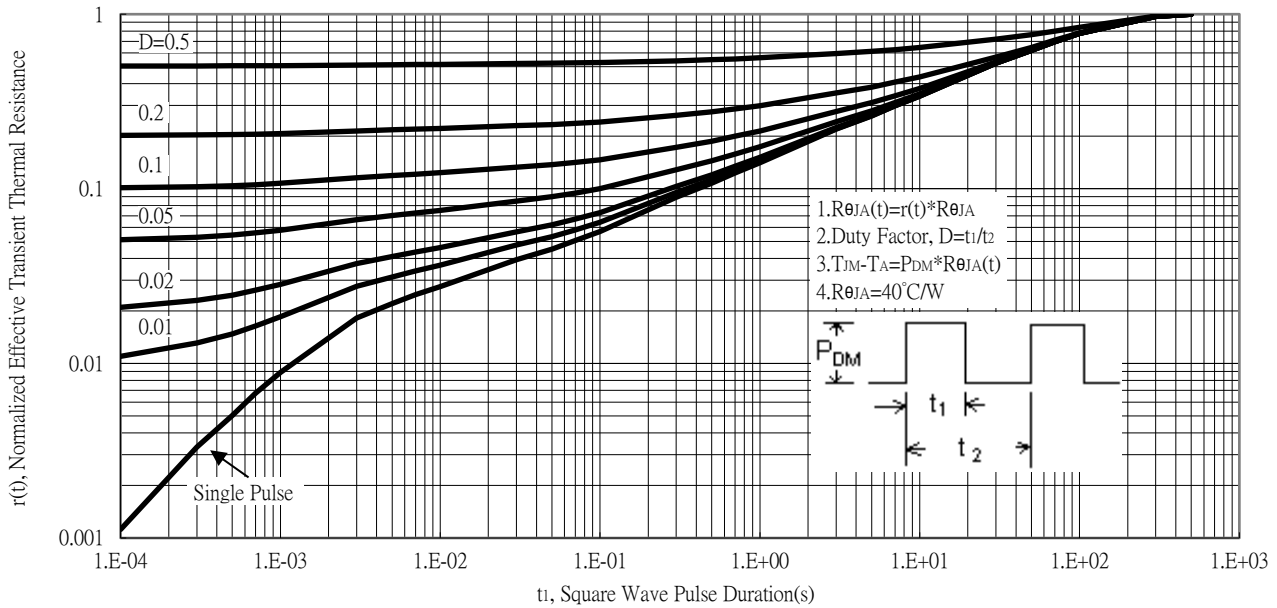


Typical Characteristics

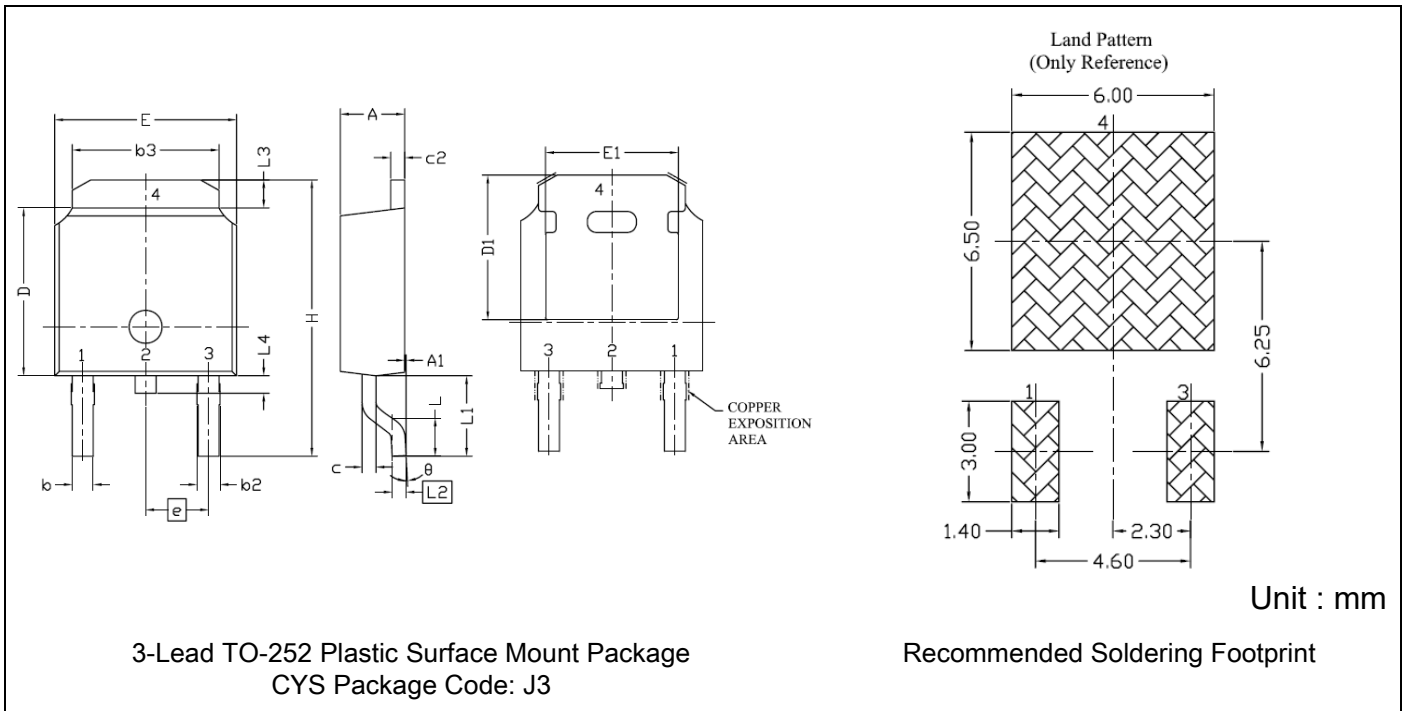
Single Pulse Power Rating, Junction to Ambient



Transient Thermal Response Curves



TO-252 Dimension



DIM	Inches		Millimeters		DIM	Inches		Millimeters	
	Min.	Max.	Min.	Max.		Min.	Max.	Min.	Max.
E	0.251	0.265	6.400	6.731	b3	0.205	0.215	5.210	5.460
L	0.055	0.070	1.400	1.770	e	0.090	BSC	2.286	BSC
L1	0.107	REF	2.743	REF	A	0.087	0.093	2.200	2.380
L2	0.020	BSC	0.508	BSC	A1	0.000	0.005	0.000	0.127
L3	0.035	0.050	0.890	1.270	c	0.018	0.024	0.460	0.600
L4	0.025	0.039	0.640	1.010	c2	0.018	0.022	0.460	0.580
D	0.236	0.245	6.000	6.223	D1	0.205	-	5.210	-
H	0.370	0.409	9.400	10.400	E1	0.173	-	4.400	-
b	0.025	0.034	0.640	0.880	θ	0°	10°	0°	10°
b2	0.030	0.044	0.770	1.140					

Note:

- Controlling dimension: millimeters.
- Maximum lead thickness includes lead finish thickness, and minimum lead thickness is the minimum thickness of base material.
- If there is any question with packing specification or packing method, please contact your local CYStek sales office.

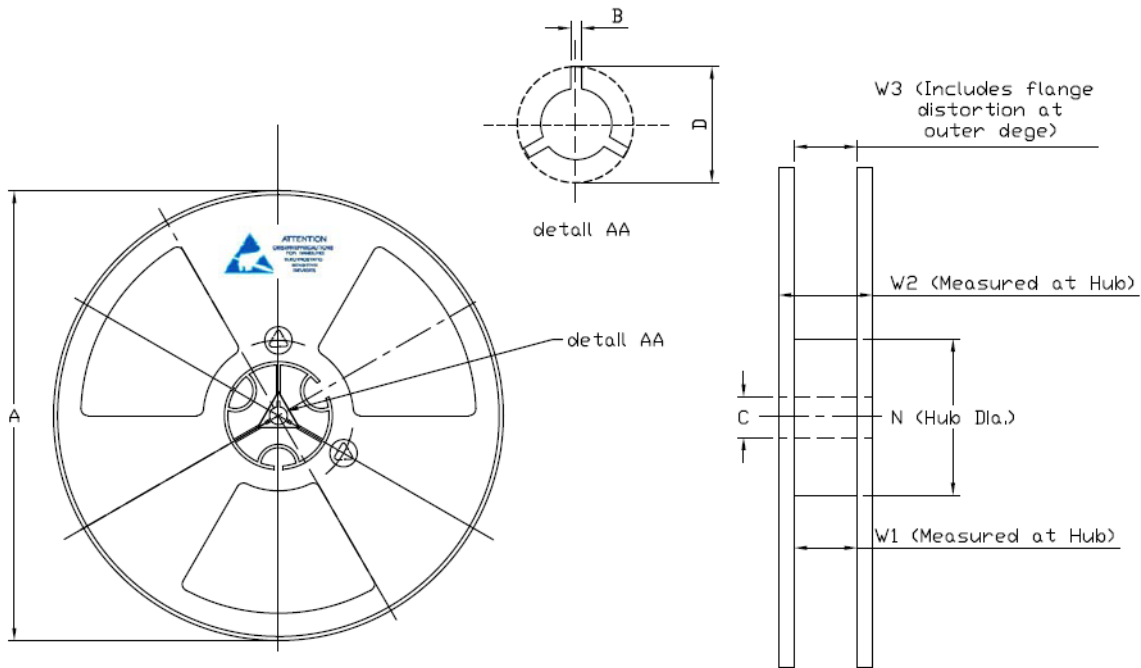
Material:

- Lead: pure tin plated.
- Mold Compound: Epoxy resin family, flammability solid burning class: UL94V-0.

Important Notice:

- All rights are reserved. Reproduction in whole or in part is prohibited without the prior written approval of CYStek.
- CYStek reserves the right to make changes to its products without notice.
- CYStek semiconductor products are not warranted to be suitable for use in Life-Support Applications, or systems.
- CYStek assumes no liability for any consequence of customer product design, infringement of patents, or application assistance.

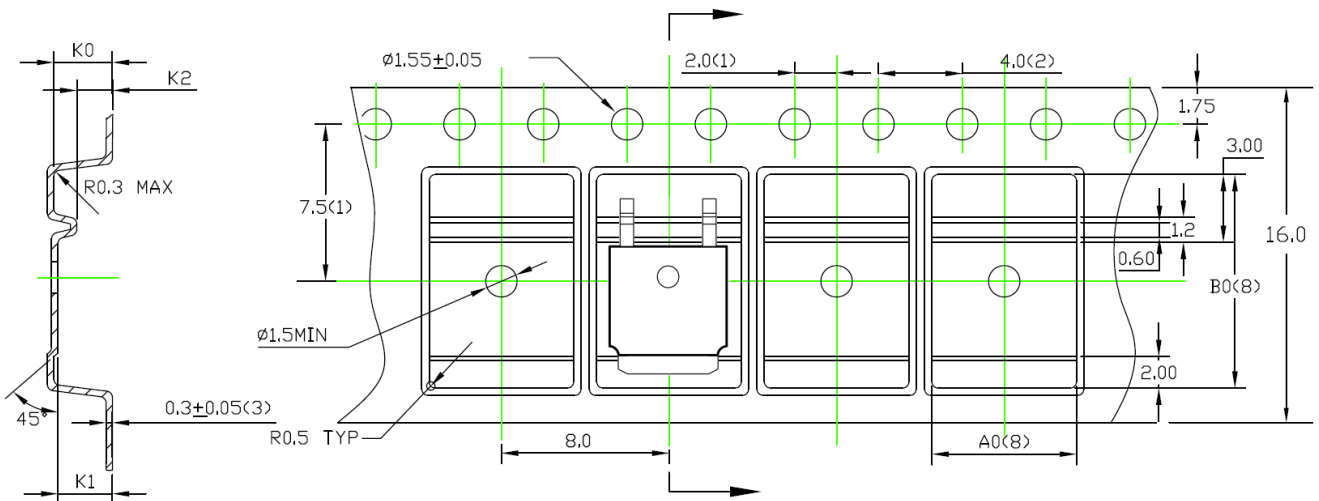
Reel Dimension



Tape Size	A	B	C	D	N	W1	W2	W3
16mm	330±2.0	2.9±0.5	13.0+0.5/-0	23±1.0	100±2	16.4±0.1	22.4+0/-2.0	16.0~19.0

Unit : mm

Carrier Tape Dimension



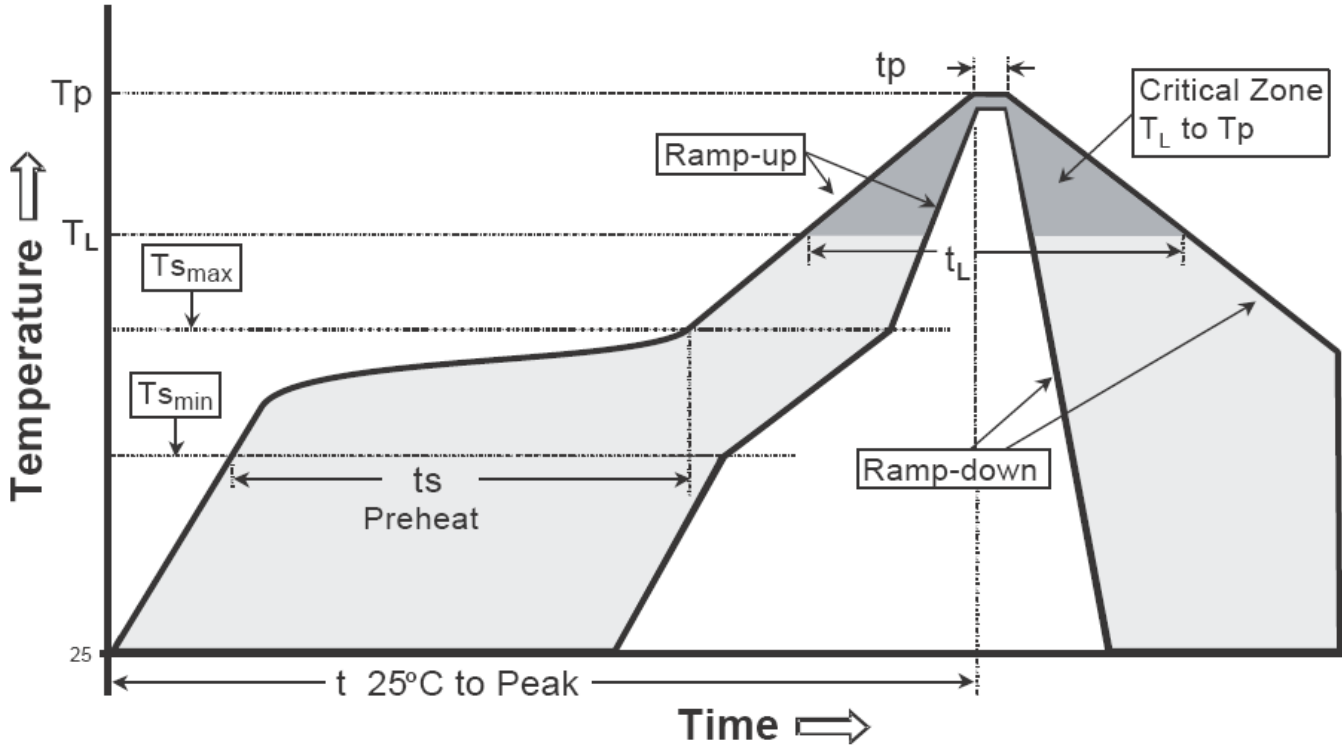
A0=6.9
 B0=10.5
 K0=2.7(10)
 K1=2.5
 K2=1.7

Unit : mm

Recommended wave soldering condition

Product	Peak Temperature	Soldering Time
Pb-free devices	260 +0/-5 °C	5 +1/-1 seconds

Recommended temperature profile for IR reflow



Profile feature	Sn-Pb eutectic Assembly	Pb-free Assembly
Average ramp-up rate (T _S max to T _P)	3°C/second max.	3°C/second max.
Preheat -Temperature Min (T _S min) -Temperature Max (T _S max) -Time (t _s min to t _s max)	100°C 150°C 60-120 seconds	150°C 200°C 60-180 seconds
Time maintained above: -Temperature (T _L) -Time (t _L)	183°C 60-150 seconds	217°C 60-150 seconds
Peak Temperature (T _P)	240 +0/-5 °C	260 +0/-5 °C
Time within 5°C of actual peak temperature (t _P)	10-30 seconds	20-40 seconds
Ramp down rate	6°C/second max.	6°C/second max.
Time 25 °C to peak temperature	6 minutes max.	8 minutes max.

Note:

- All temperatures refer to topside of the package, measured on the package body surface.