

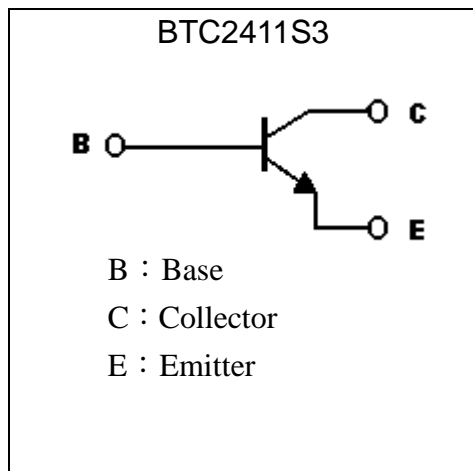
**General Purpose NPN Epitaxial Planar Transistor**

# BTC2411S3

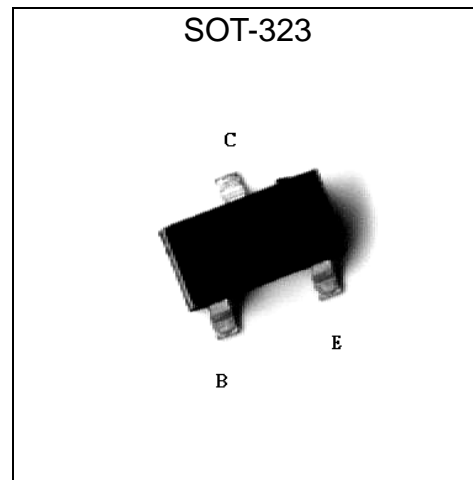
## Description

- The BTC2411S3 is designed for general purpose amplifier applications. It is housed in the SOT-323/SC-70 package which is designed for low power surface mount applications.
- Low  $V_{CE(sat)}$
- Low leakage current
- High cutoff frequency
- Complementary to BTA1036S3
- Pb-free lead plating and halogen-free package

## Symbol

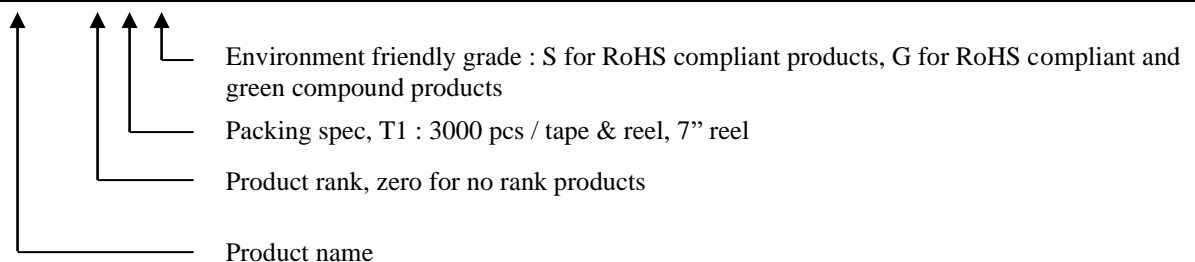


## Outline



## Ordering Information

Device	Package	Shipping
BTC2411S3-0-T1-G	SOT-323 (Pb-free lead plating and halogen-free package)	3000 pcs / tape & reel





**Absolute Maximum Ratings (Ta=25°C)**

Parameter	Symbol	Limits	Unit
Collector-Base Voltage	V <sub>CBO</sub>	75	V
Collector-Emitter Voltage	V <sub>CEO</sub>	50	V
Emitter-Base Voltage	V <sub>EBO</sub>	6	V
Collector Current	I <sub>C</sub>	600	mA
Power Dissipation @Ta=25°C Derate above 25°C	P <sub>d</sub>	200 (Note 1)	mW
Operating Junction and Storage Temperature Range	T <sub>j</sub> ; T <sub>stg</sub>	-55~+150	°C

Note 1: when mounted on a FR-5 board with area measuring 1.0x0.75x0.062 in.

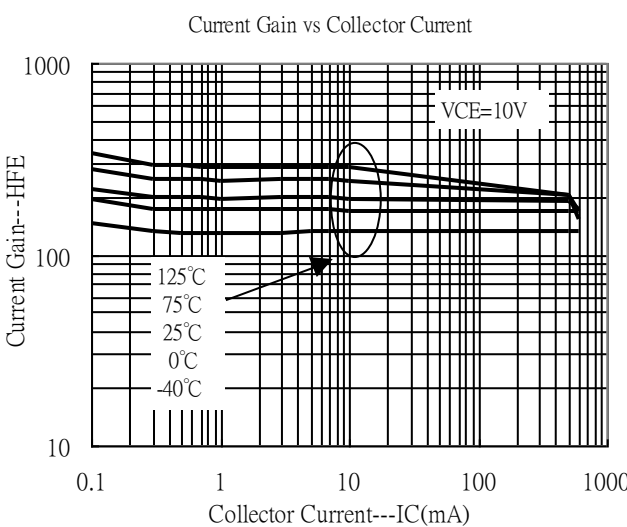
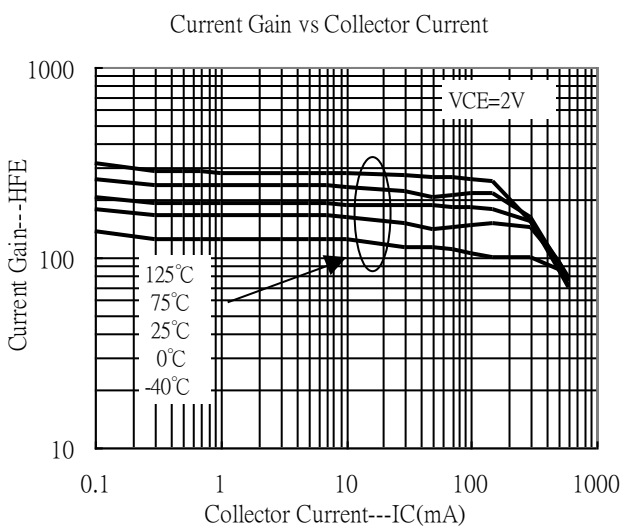
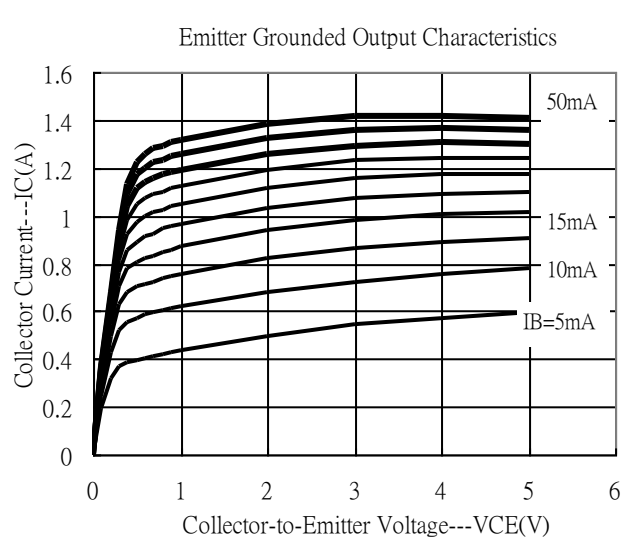
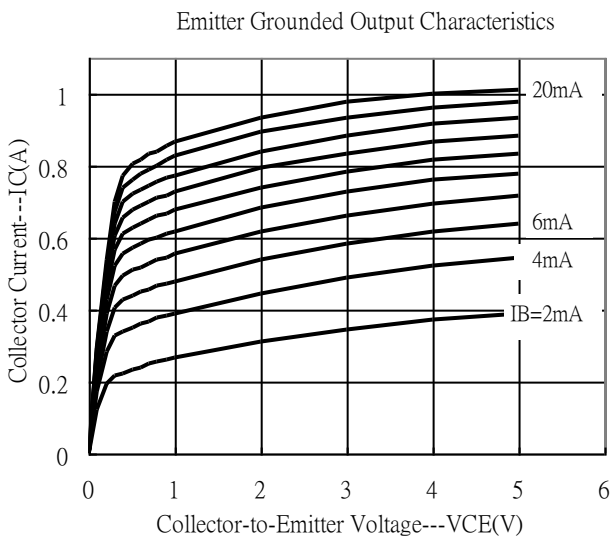
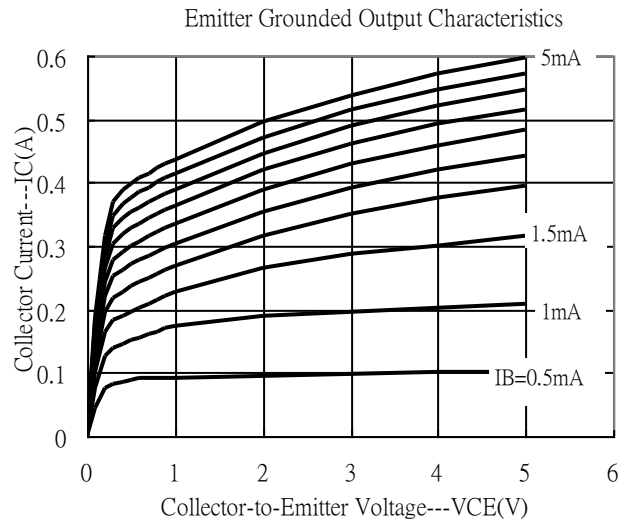
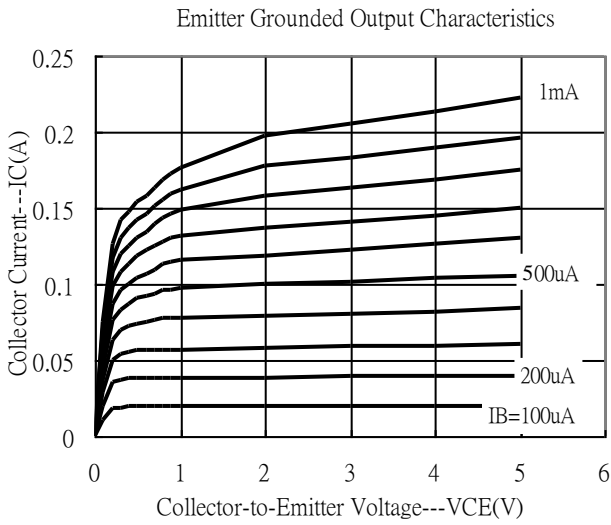
**Characteristics (Ta=25°C)**

Symbol	Min.	Typ.	Max.	Unit	Test Conditions
BV <sub>CBO</sub>	75	-	-	V	I <sub>C</sub> =10μA
BV <sub>CEO</sub>	50	-	-	V	I <sub>C</sub> =1mA
BV <sub>EBO</sub>	6	-	-	V	I <sub>E</sub> =10μA
I <sub>CBO</sub>	-	-	10	nA	V <sub>CB</sub> =60V
I <sub>CEX</sub>	-	-	10	nA	V <sub>CE</sub> =60V, V <sub>EB(off)</sub> =3V
I <sub>EBO</sub>	-	-	100	nA	V <sub>EB</sub> =3V
*V <sub>CE(sat)1</sub>	-	-	0.25	V	I <sub>C</sub> =150mA, I <sub>B</sub> =15mA
*V <sub>CE(sat)2</sub>	-	0.2	0.45	V	I <sub>C</sub> =500mA, I <sub>B</sub> =50mA
*V <sub>BE(sat)1</sub>	-	-	1.0	V	I <sub>C</sub> =150mA, I <sub>B</sub> =15mA
*V <sub>BE(sat)2</sub>	-	-	1.2	V	I <sub>C</sub> =500mA, I <sub>B</sub> =50mA
h <sub>FE1</sub>	35	-	-	-	V <sub>CE</sub> =10V, I <sub>C</sub> =0.1mA
h <sub>FE2</sub>	50	-	-	-	V <sub>CE</sub> =10V, I <sub>C</sub> =1mA
h <sub>FE3</sub>	75	-	-	-	V <sub>CE</sub> =10V, I <sub>C</sub> =10mA
*h <sub>FE4</sub>	100	-	300	-	V <sub>CE</sub> =10V, I <sub>C</sub> =150mA
*h <sub>FE5</sub>	40	-	-	-	V <sub>CE</sub> =10V, I <sub>C</sub> =500mA
f <sub>T</sub>	-	230	-	MHZ	V <sub>CE</sub> =20V, I <sub>C</sub> =20mA, f=100MHZ
C <sub>ob</sub>	-	8.3	-	pF	V <sub>CB</sub> =10V, I <sub>E</sub> =0A, f=1MHZ

\*Pulse Test: Pulse Width ≤380μs, Duty Cycle≤2%

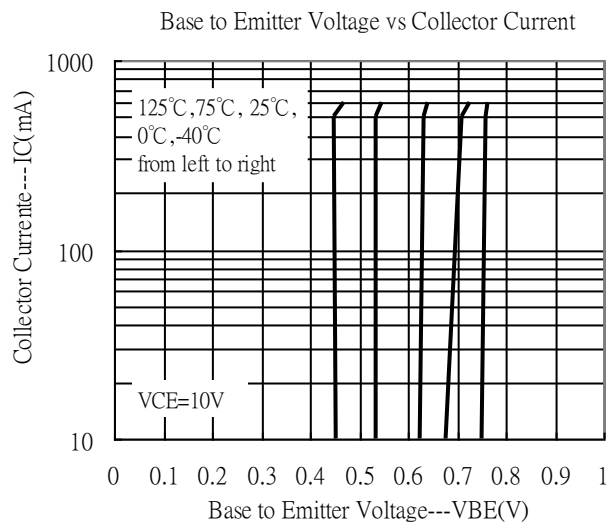
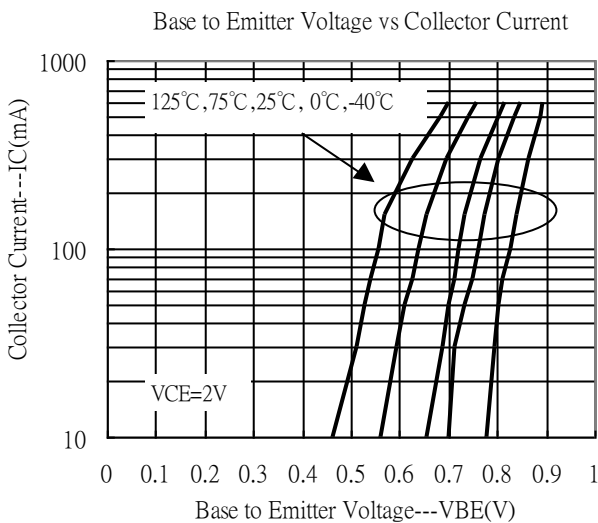
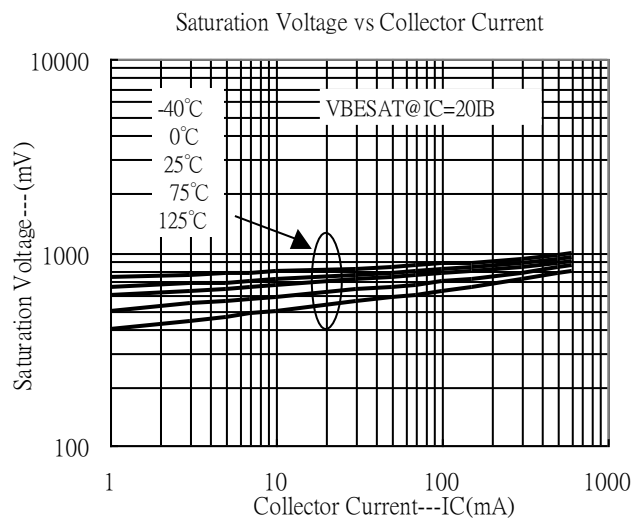
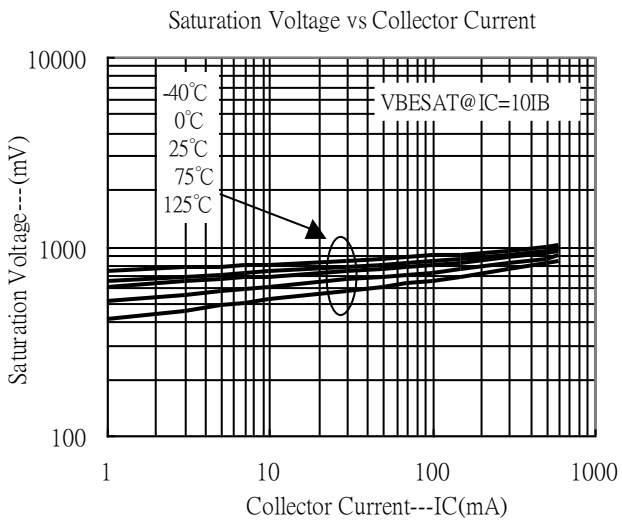
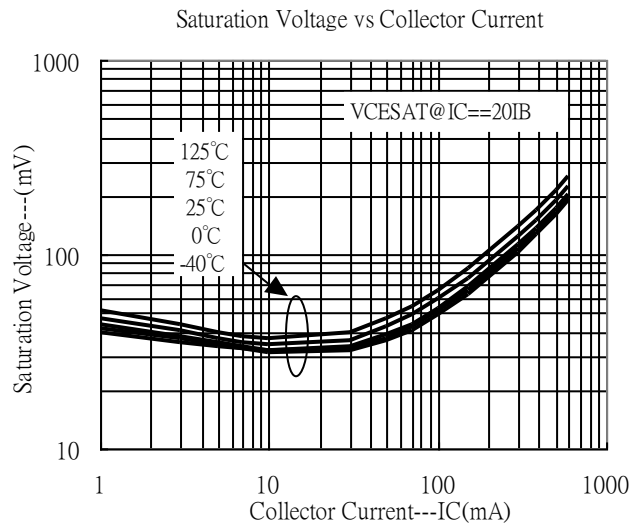
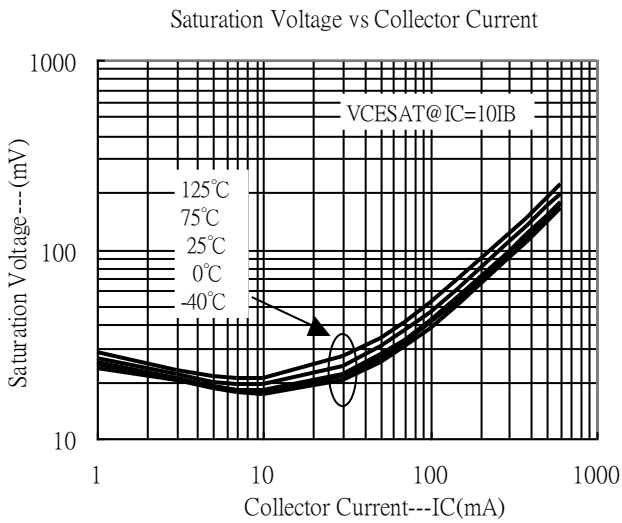


**Typical Characteristics**



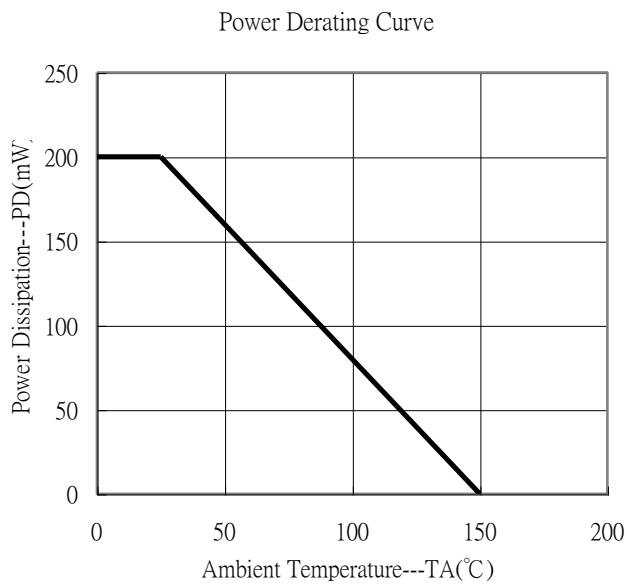
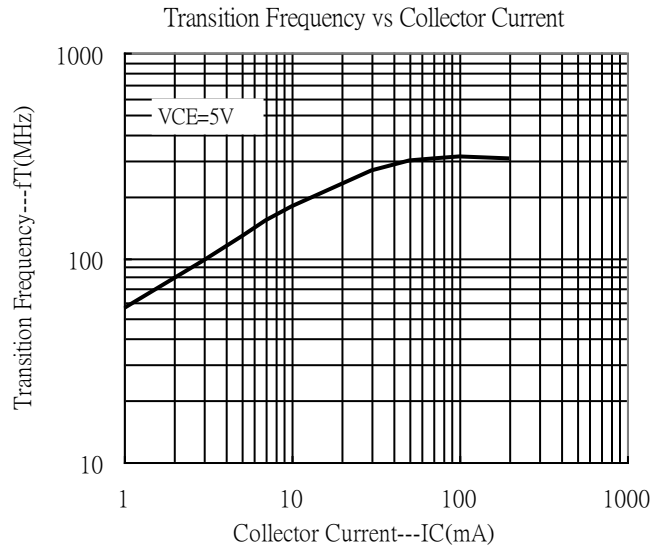
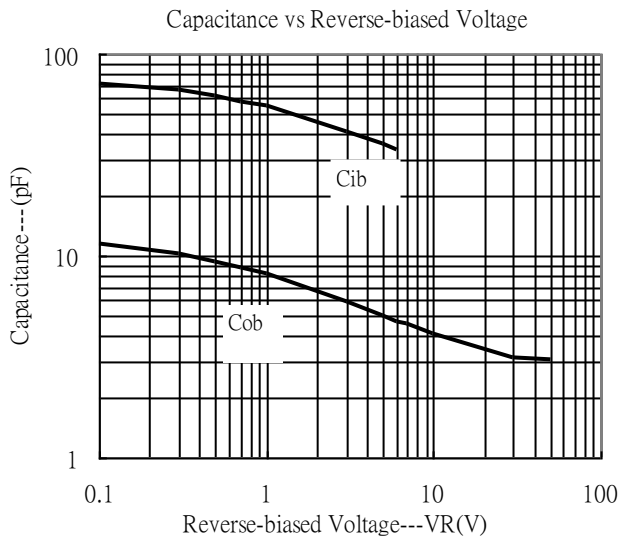


### Typical Characteristics(Cont.)



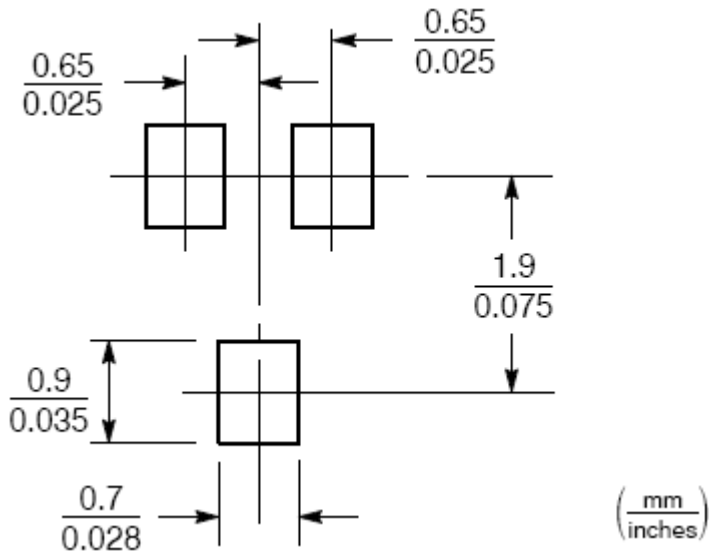


### Typical Characteristics(Cont.)

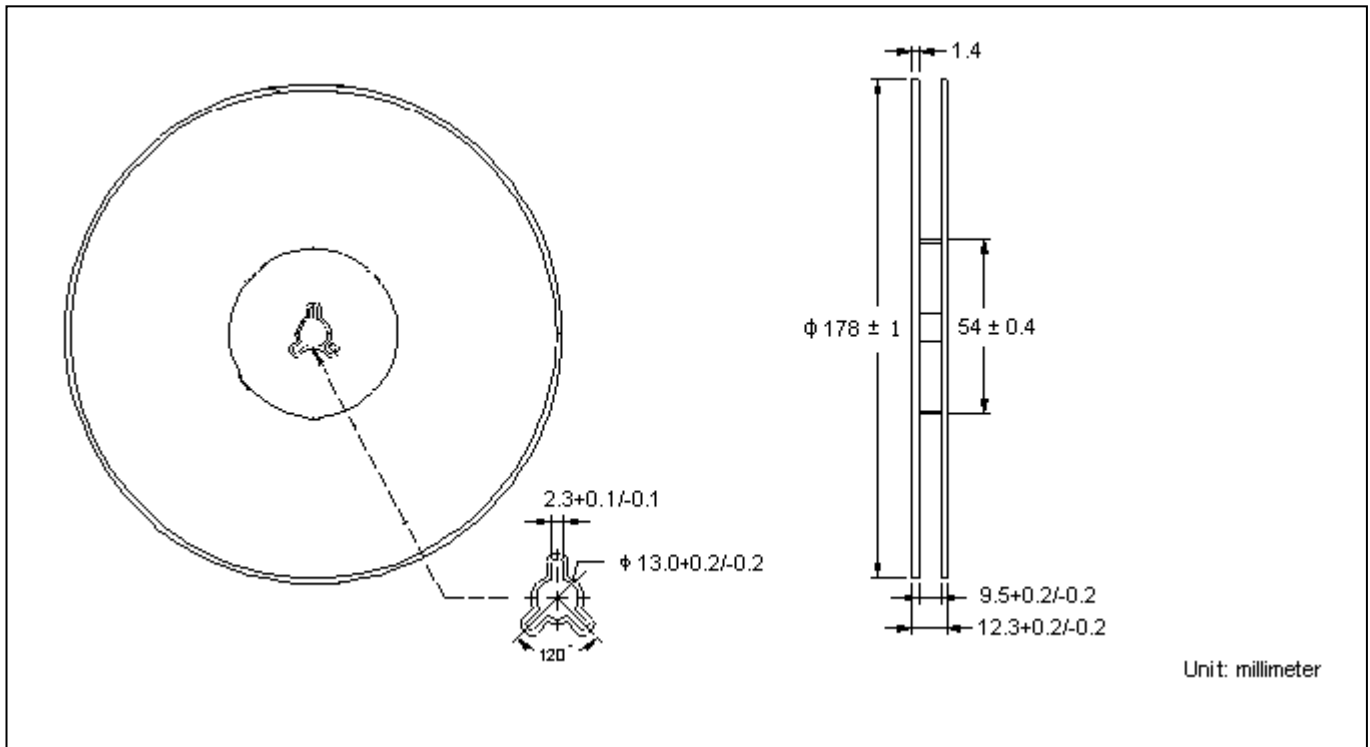




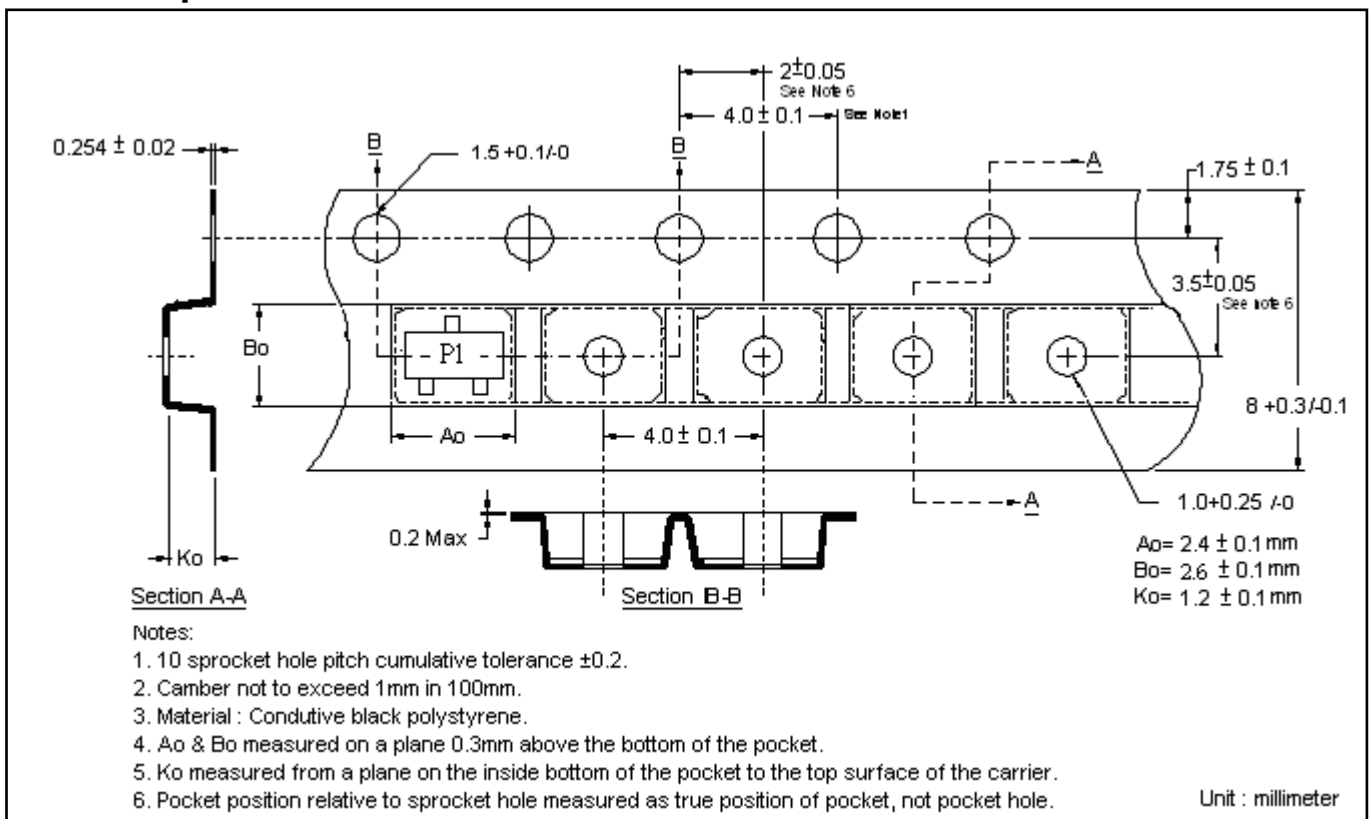
### Recommended Soldering Footprint



**Reel Dimension**



**Carrier Tape Dimension**

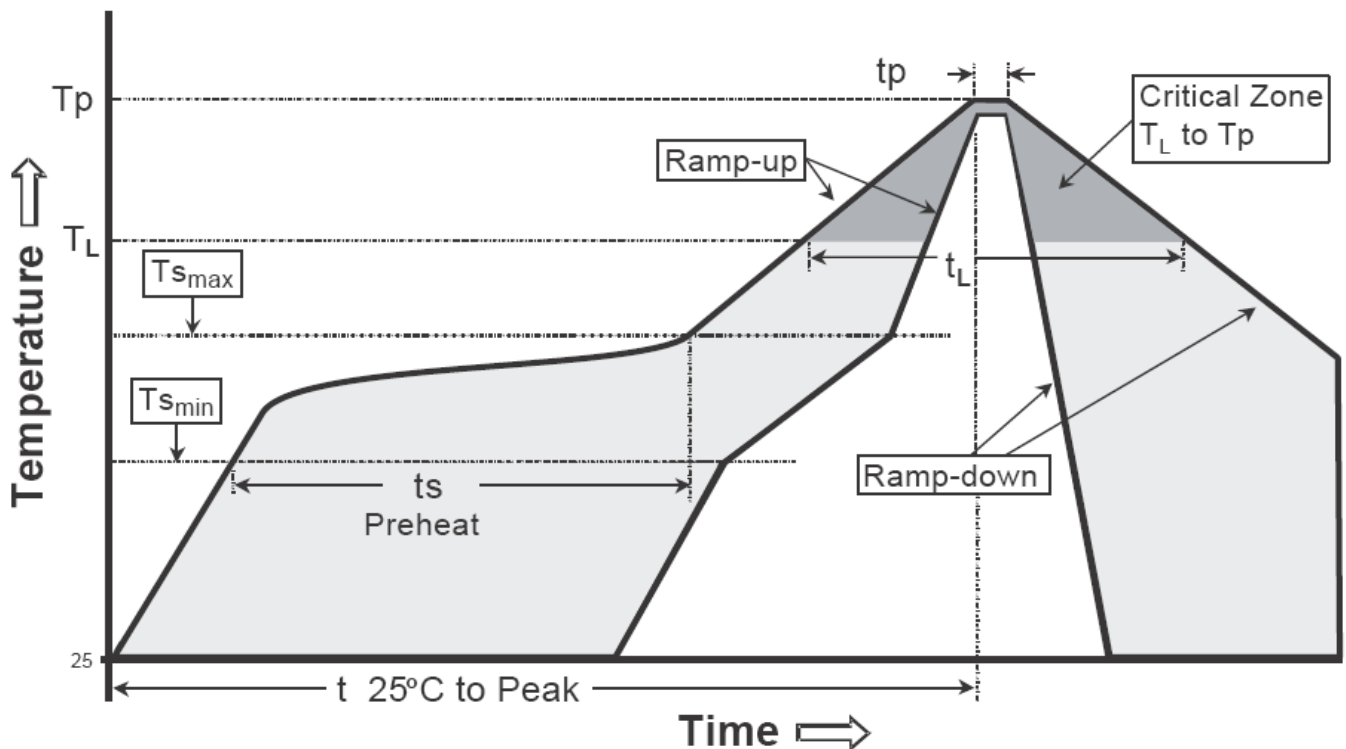




**Recommended wave soldering condition**

Product	Peak Temperature	Soldering Time
Pb-free devices	260 +0/-5 °C	5 +1/-1 seconds

**Recommended temperature profile for IR reflow**

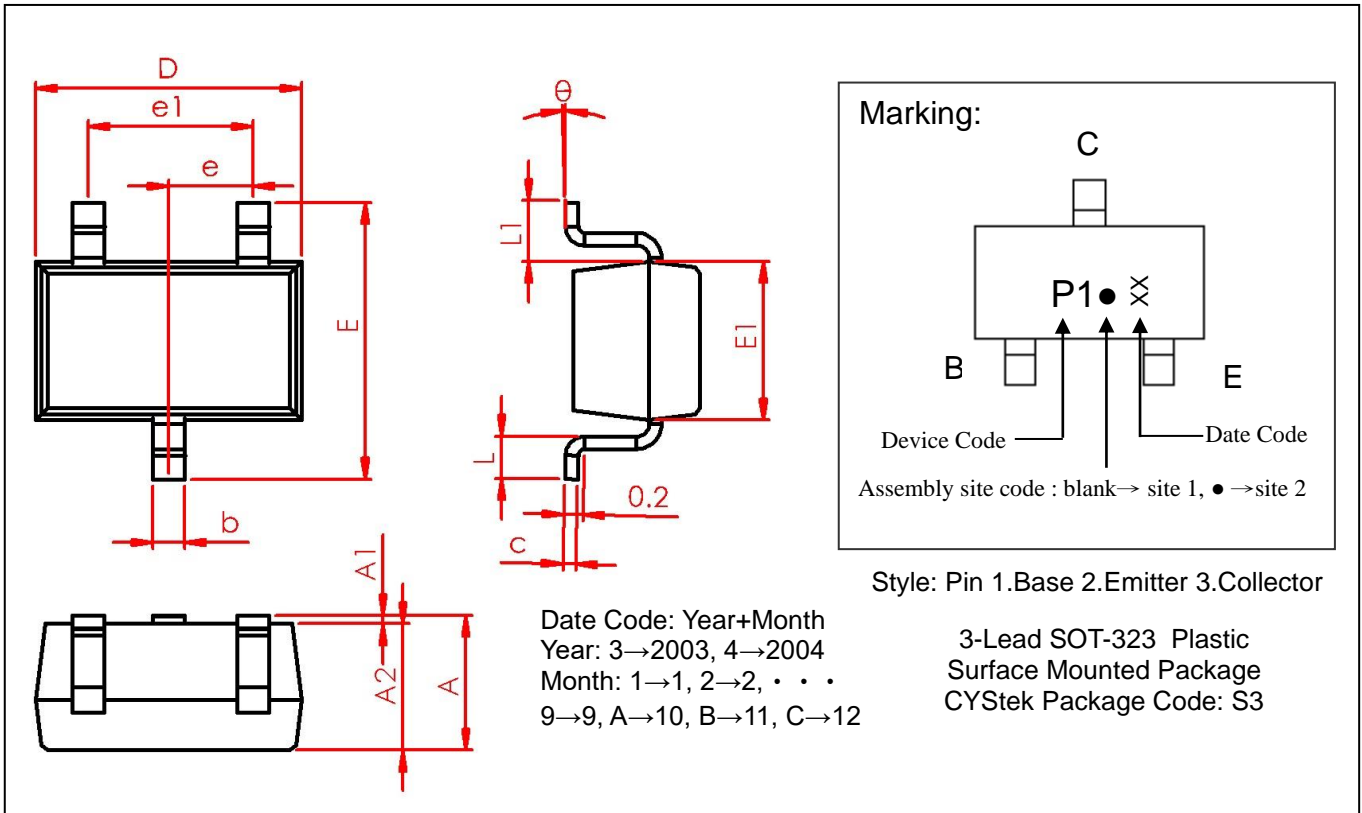


Profile feature	Sn-Pb eutectic Assembly	Pb-free Assembly
Average ramp-up rate (Tsmax to Tp)	3°C/second max.	3°C/second max.
Preheat		
-Temperature Min(Ts min)	100°C	150°C
-Temperature Max(Ts max)	150°C	200°C
-Time(ts min to ts max)	60-120 seconds	60-180 seconds
Time maintained above:		
-Temperature (TL)	183°C	217°C
- Time (tL)	60-150 seconds	60-150 seconds
Peak Temperature(TP)	240 +0/-5 °C	260 +0/-5 °C
Time within 5°C of actual peak temperature(tp)	10-30 seconds	20-40 seconds
Ramp down rate	6°C/second max.	6°C/second max.
Time 25 °C to peak temperature	6 minutes max.	8 minutes max.

Note : All temperatures refer to topside of the package, measured on the package body surface.



**SOT-323 Dimension**



**Marking:**

C

P1 ● ×

B E

Device Code Date Code

Assembly site code : blank → site 1, ● → site 2

Style: Pin 1.Base 2.Emitter 3.Collector

3-Lead SOT-323 Plastic Surface Mounted Package  
 CYStek Package Code: S3

Date Code: Year+Month  
 Year: 3→2003, 4→2004  
 Month: 1→1, 2→2, . . .  
 9→9, A→10, B→11, C→12

\*: Typical

DIM	Inches		Millimeters		DIM	Inches		Millimeters	
	Min.	Max.	Min.	Max.		Min.	Max.	Min.	Max.
A	0.035	0.043	0.900	1.100	E1	0.045	0.053	1.150	1.350
A1	0.000	0.004	0.000	0.100	e	0.026 TYP		0.650 TYP	
A2	0.035	0.043	0.900	1.100	e1	0.047	0.055	1.200	1.400
b	0.005	0.016	0.150	0.400	L	0.010	0.018	0.260	0.460
c	0.001	0.006	0.050	0.150	L1	0.021 REF		0.525 REF	
D	0.079	0.087	2.000	2.200	θ	0°	8°	0°	8°
E	0.085	0.096	2.150	2.450					

- Notes: 1.Controlling dimension: millimeters.  
 2.Maximum lead thickness includes lead finish thickness, and minimum lead thickness is the minimum thickness of base material.  
 3.If there is any question with packing specification or packing method, please contact your local CYStek sales office.

**Material:**

- Lead: Pure tin plated.
- Mold Compound: Epoxy resin family, flammability solid burning class: UL94V-0.

**Important Notice:**

- All rights are reserved. Reproduction in whole or in part is prohibited without the prior written approval of CYStek.
- CYStek reserves the right to make changes to its products without notice.
- CYStek **semiconductor products are not warranted to be suitable for use in Life-Support Applications, or systems.**
- CYStek assumes no liability for any consequence of customer product design, infringement of patents, or application assistance.