

P-Channel Enhancement Mode Power MOSFET

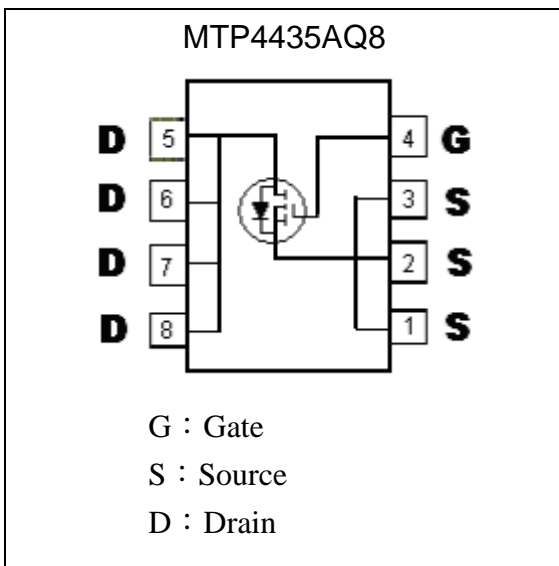
MTP4435AQ8

BV_{DSS}	-30V
$I_D @ V_{GS}=-10V, T_A=25^\circ C$	-12.3A
$R_{DSON} @ V_{GS}=-10V, I_D=-8A$	12.3mΩ (typ.)
$R_{DSON} @ V_{GS}=-4.5V, I_D=-5A$	17.5mΩ (typ.)

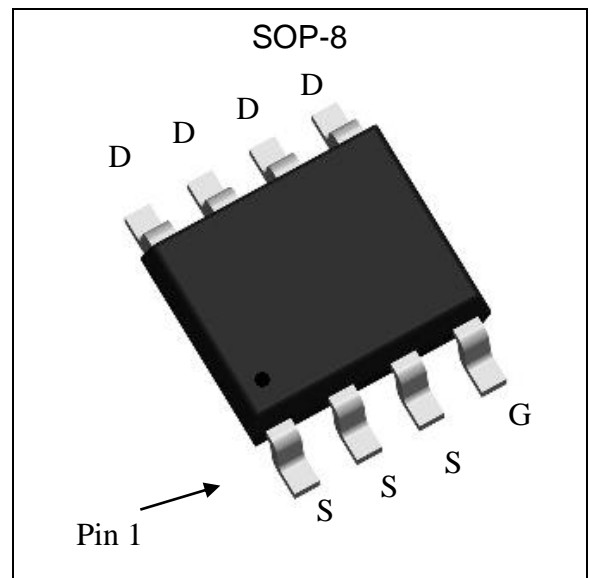
Features

- Simple drive requirement
- Low on-resistance
- Fast switching speed
- Pb-free lead plating package

Equivalent Circuit



Outline



Ordering Information

Device	Package	Shipping
MTP4435AQ8-0-T3-G	SOP-8 (Pb-free lead plating & halogen-free package)	2500 pcs / Tape & Reel
MTP4435AQ8-0-TF-G	SOP-8 (Pb-free lead plating & halogen-free package)	4000 pcs / Tape & Reel

Environment friendly grade : S for RoHS compliant products, G for RoHS compliant and green compound products
 Packing spec, T3 : 2500 pcs / tape & reel, 13" reel, TF : 4000 pcs/tape & reel, 13" reel
 Product rank, zero for no rank products
 Product name



Absolute Maximum Ratings (Ta=25°C)

Parameter	Symbol	Limits	Unit	
Drain-Source Voltage	V _{DS}	-30	V	
Gate-Source Voltage	V _{GS}	±25		
Continuous Drain Current @ TA=25°C, V _{GS} =-10V	I _D	-12.3	A	
Continuous Drain Current @ TA=70°C, V _{GS} =-10V		-9.8		
Pulsed Drain Current	I _{DM}	-50 *1		
Avalanche Current	I _{AS}	-12.3		
Avalanche Energy @ L=1mH, I _D =-12.3A, V _{DD} =-15V	E _{AS}	75.6	mJ	
Repetitive Avalanche Energy @ L=0.05mH	E _{AR}	2.5 *2		
Total Power Dissipation	P _D	TA=25°C	3.1 *3	W
		TA=70°C	2 *3	
Operating Junction and Storage Temperature Range	T _j , T _{stg}	-55~+150	°C	

Thermal Data

Parameter	Symbol	Value	Unit
Thermal Resistance, Junction-to-case, max	R _{th,j-c}	20	°C/W
Thermal Resistance, Junction-to-ambient, max	R _{th,j-a}	40 *3	

Note : 1. Pulse width limited by maximum junction temperature
 2. Duty cycle ≤ 1%
 3. Surface mounted on 1 in² copper pad of FR-4 board, t ≤ 10s ; 125°C/W when mounted on minimum copper pad.

Electrical Characteristics (Tj=25°C, unless otherwise specified)

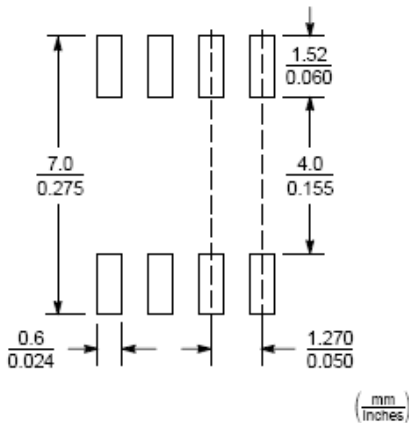
Symbol	Min.	Typ.	Max.	Unit	Test Conditions
Static					
BV _{DSS}	-30	-	-	V	V _{GS} =0V, I _D =-250μA
V _{GS(th)}	-1	-	-2.5		V _{DS} =V _{GS} , I _D =-250μA
I _{GSS}	-	-	±100	nA	V _{GS} =±25V, V _{DS} =0V
I _{DSS}	-	-	-1	μA	V _{DS} =-24V, V _{GS} =0V
I _{DSS}	-	-	-10		V _{DS} =-24V, V _{GS} =0V, T _j =125°C
R _{DS(ON)} *1	-	12.3	16	mΩ	V _{GS} =-10V, I _D =-8A
	-	17.5	23		V _{GS} =-4.5V, I _D =-5A
G _{FS} *1	-	19.7	-	S	V _{DS} =-5V, I _D =-10A
Dynamic					
C _{iss}	-	1552	-	pF	V _{DS} =-15V, V _{GS} =0V, f=1MHz
C _{oss}	-	188	-		
C _{rss}	-	170	-		

Electrical Characteristics(Cont.) (Tj=25°C, unless otherwise specified)

Symbol	Min.	Typ.	Max.	Unit	Test Conditions
t _{d(ON)} *1, 2	-	10.2	-	ns	V _{DD} =-15V, I _D =-1A, V _{GS} =-10V, R _G =2.7Ω
t _r *1, 2	-	18.6	-		
t _{d(OFF)} *1, 2	-	69.8	-		
t _f *1, 2	-	17.2	-		
Q _g (V _{GS} =10V) *1, 2	-	32.9	-	nC	V _{DS} =-15V, I _D =-10A, V _{GS} =-10V
Q _g (V _{GS} =4.5V) *1, 2	-	16.3	-		
Q _{gs} *1, 2	-	5.1	-		
Q _{gd} *1, 2	-	7.1	-		
R _g	-	6.6	-	Ω	f=1MHz
Source-Drain Diode					
I _S *1	-	-	-3	A	
I _{SM} *3	-	-	-12		
V _{SD} *1	-	-0.78	-1.2	V	I _S =-3A, V _{GS} =0V
t _{rr}	-	12.3	-	ns	I _F =-3A, dI _F /dt=100A/μs
Q _{rr}	-	6.3	-	nC	

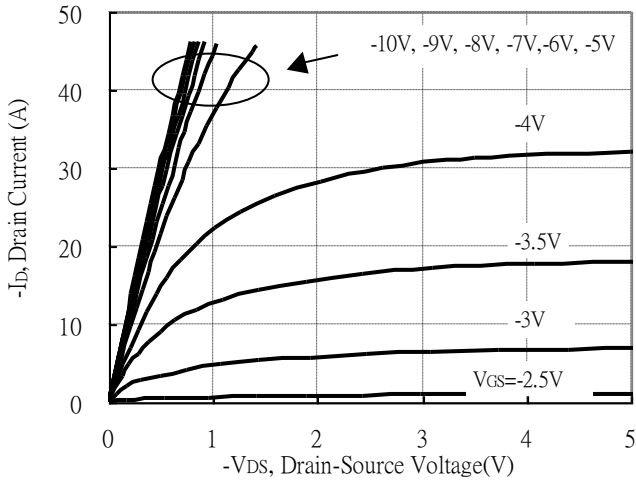
Note : *1.Pulse Test : Pulse Width ≤300μs, Duty Cycle≤2%
 *2.Independent of operating temperature
 *3.Pulse width limited by maximum junction temperature.

Recommended Soldering Footprint

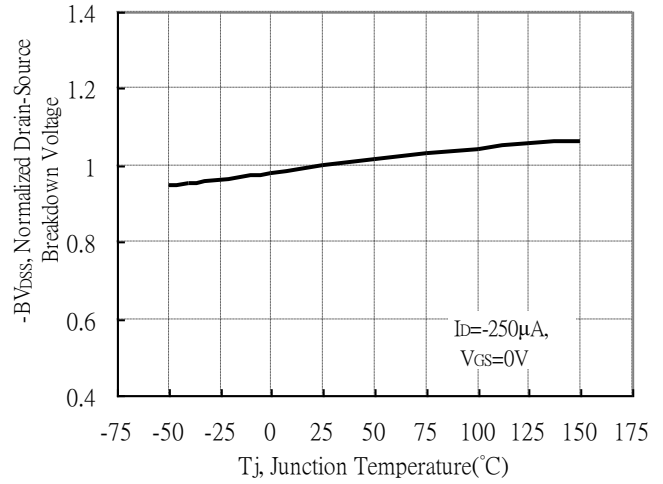


Typical Characteristics

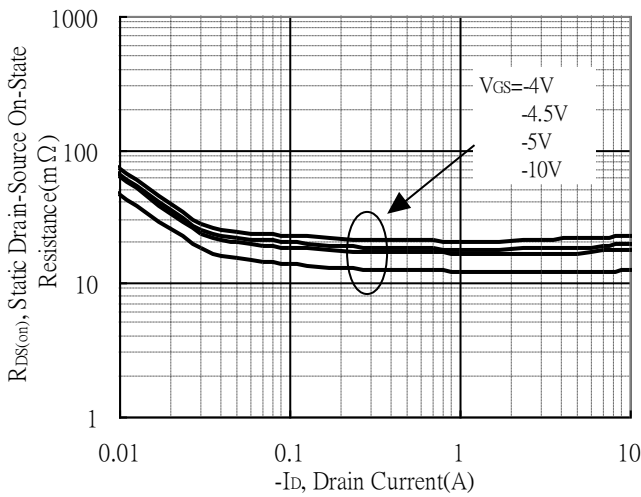
Typical Output Characteristics



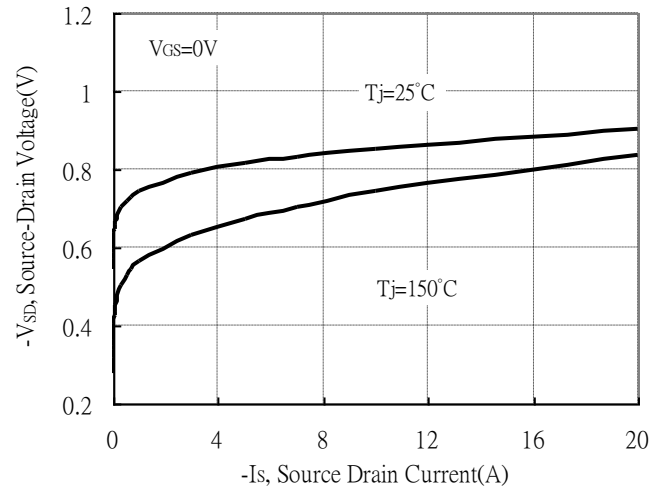
Brekdown Voltage vs Ambient Temperature



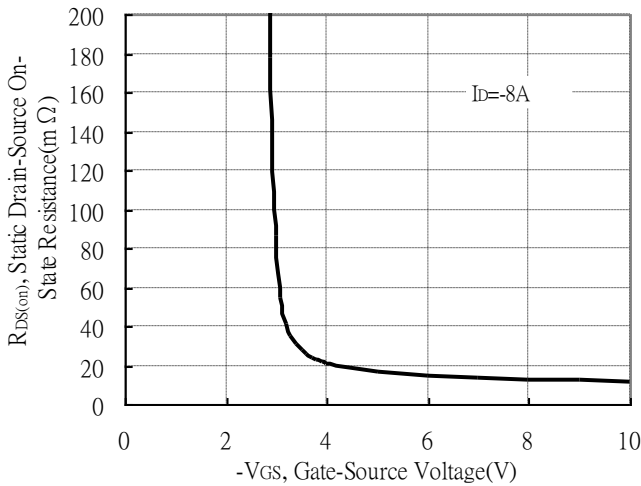
Static Drain-Source On-State resistance vs Drain Current



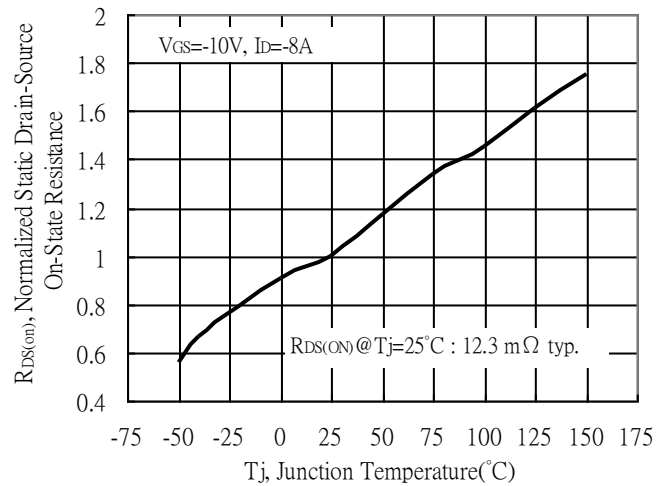
Source Drain Current vs Source-Drain Voltage



Static Drain-Source On-State Resistance vs Gate-Source Voltage

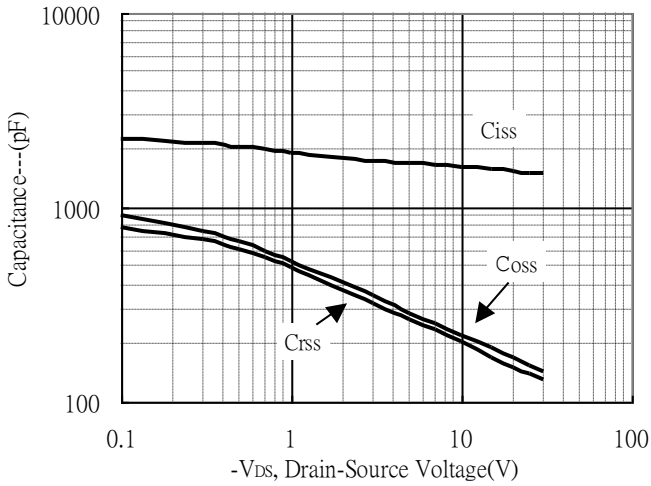


Drain-Source On-State Resistance vs Junction Temperature

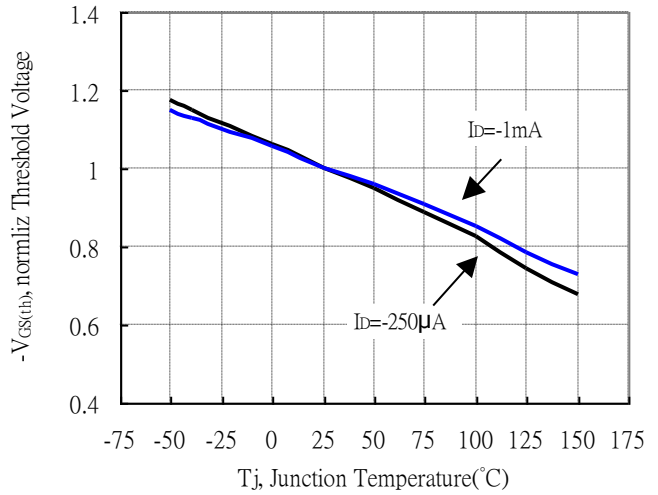


Typical Characteristics(Cont.)

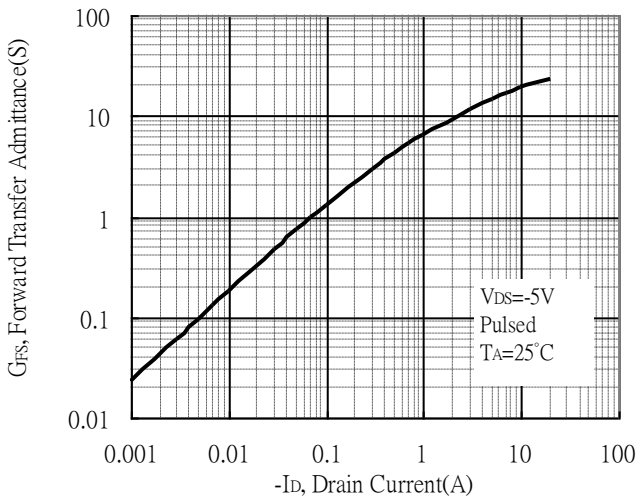
Capacitance vs Drain-to-Source Voltage



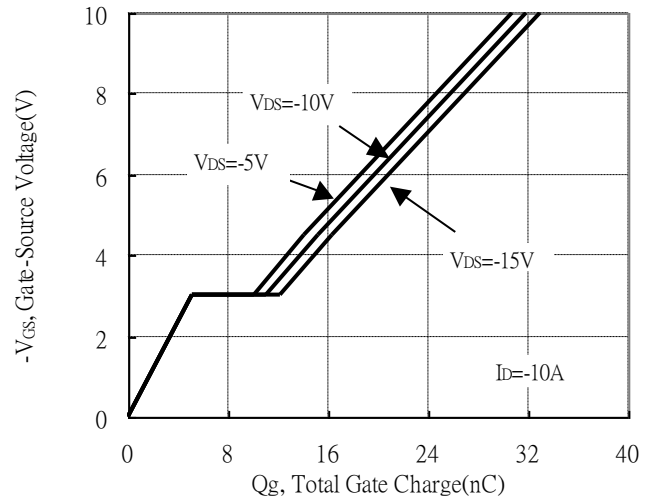
Threshold Voltage vs Junction Temperature



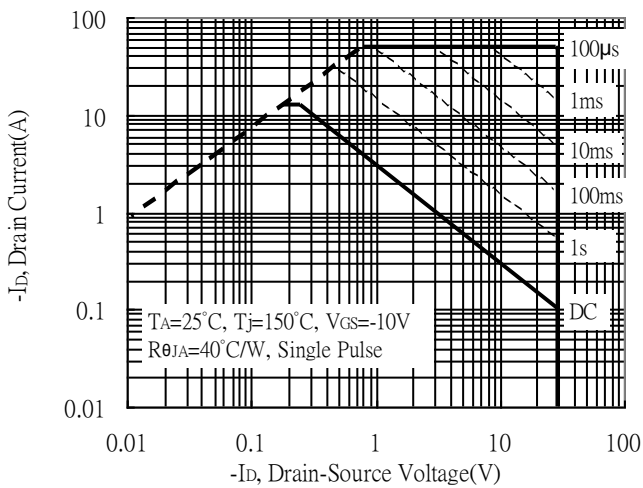
Forward Transfer Admittance vs Drain Current



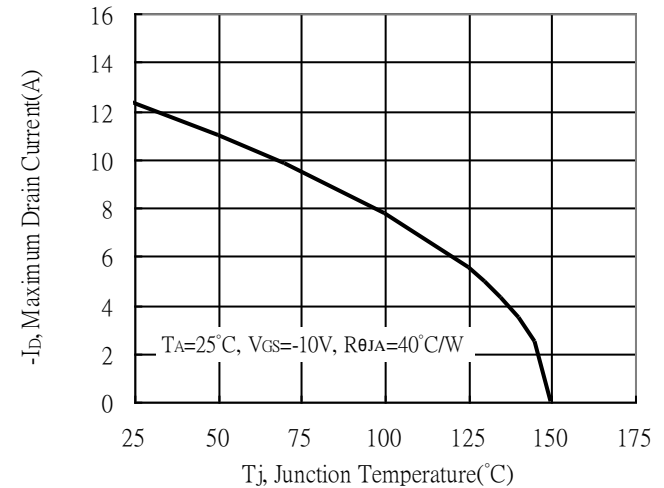
Gate Charge Characteristics



Maximum Safe Operating Area



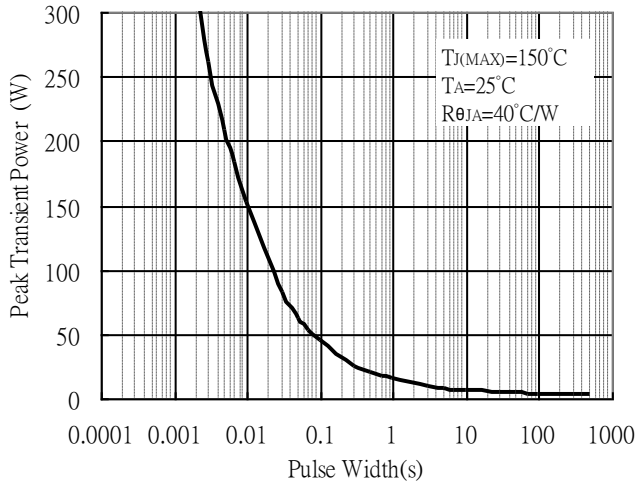
Maximum Drain Current vs Junction Temperature



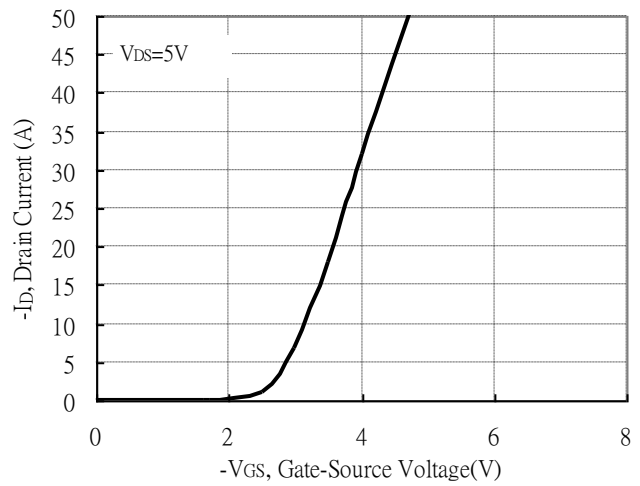


Typical Characteristics(Cont.)

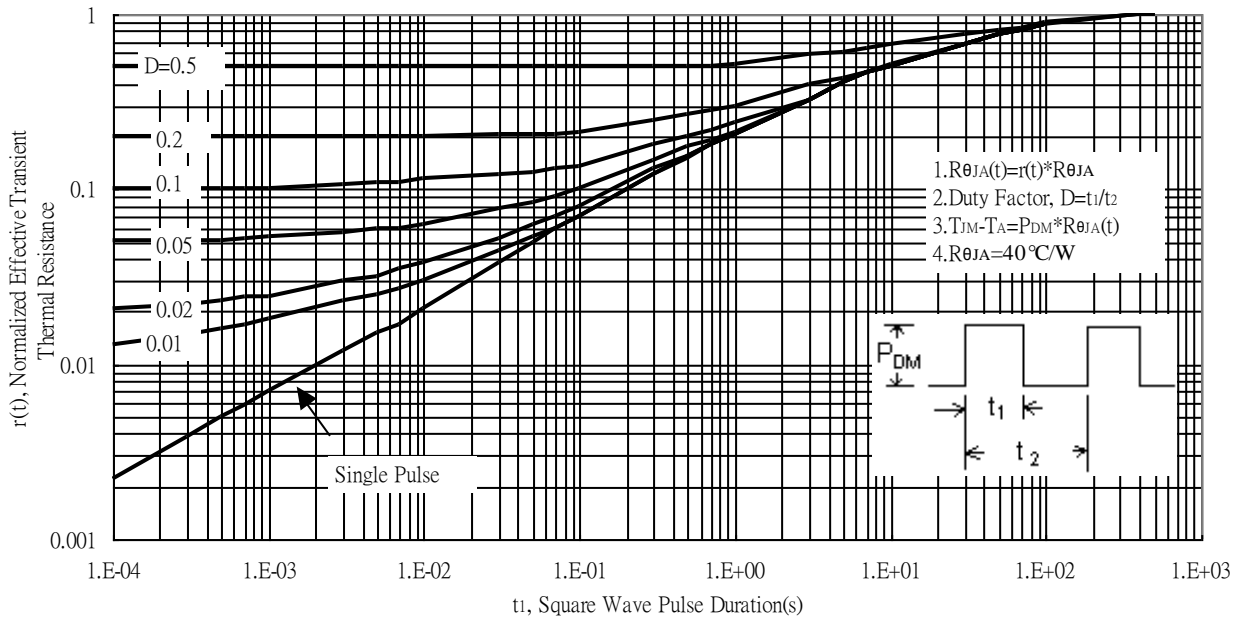
Single Pulse Maximum Power Dissipation



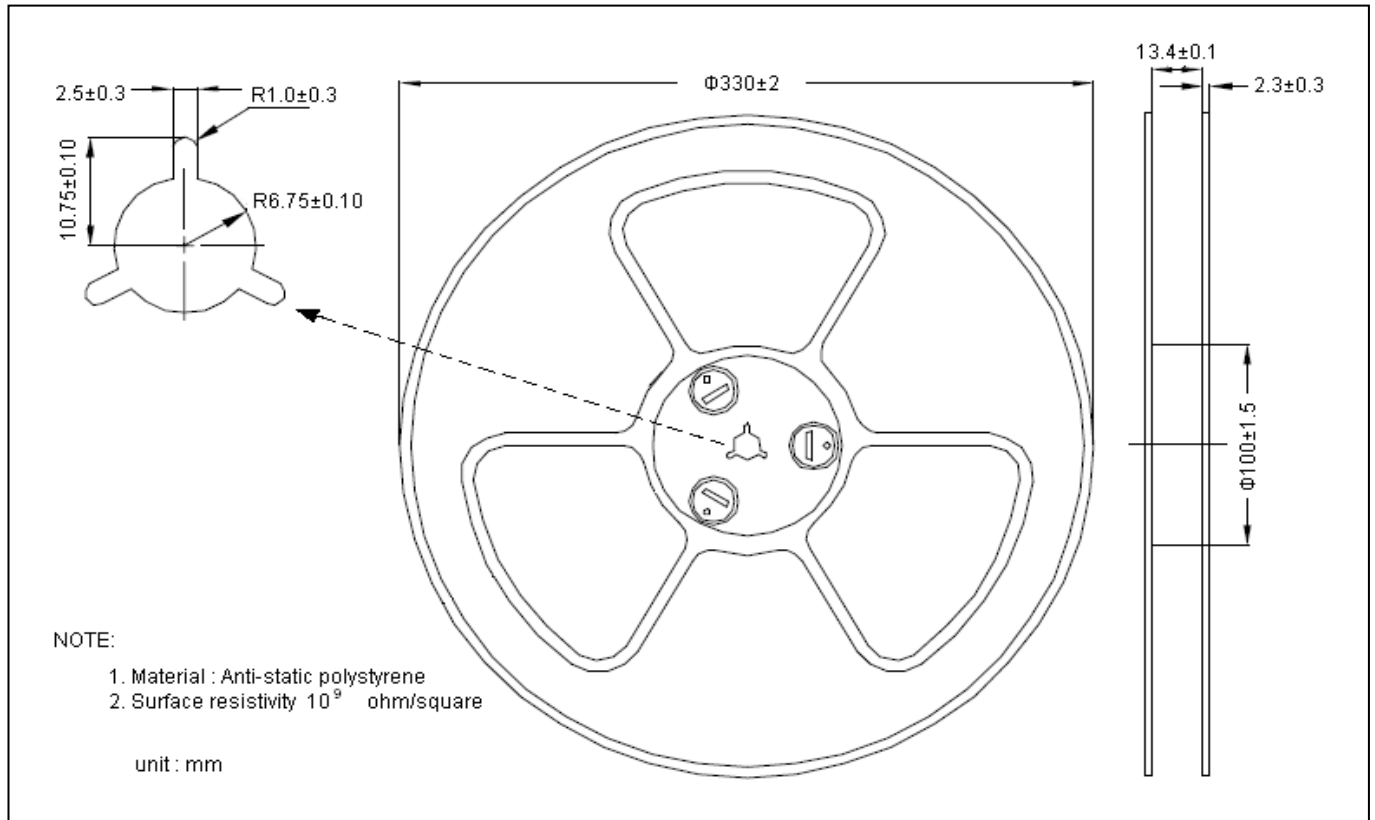
Typical Transfer Characteristics



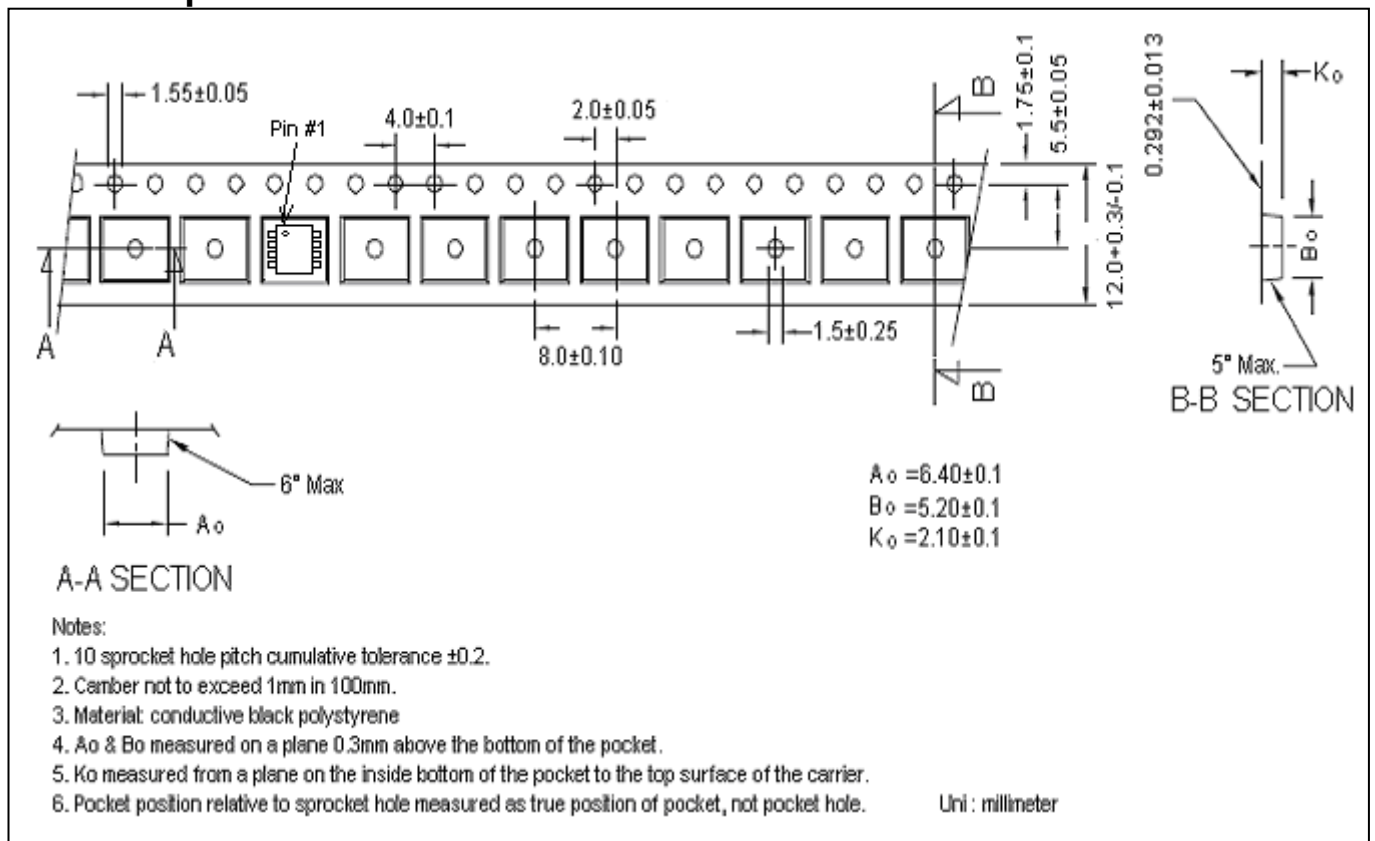
Transient Thermal Response Curves



Reel Dimension



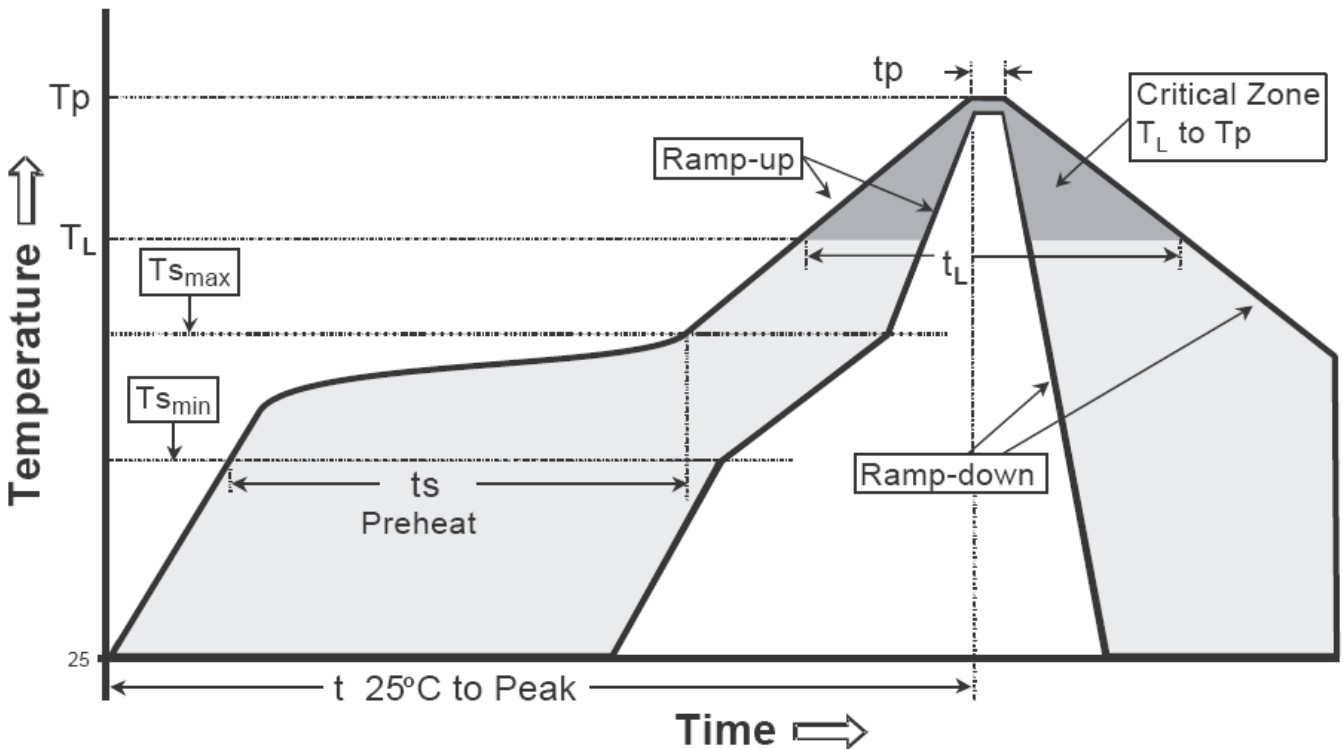
Carrier Tape Dimension



Recommended wave soldering condition

Product	Peak Temperature	Soldering Time
Pb-free devices	260 +0/-5 °C	5 +1/-1 seconds

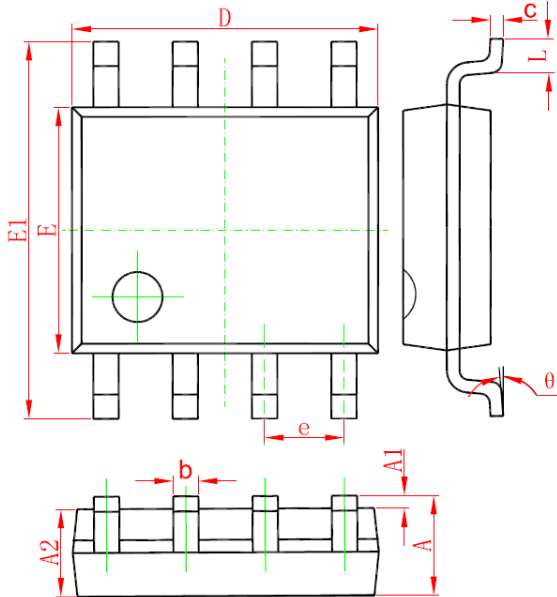
Recommended temperature profile for IR reflow



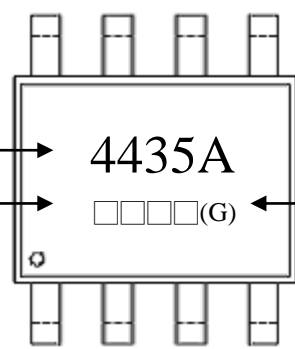
Profile feature	Sn-Pb eutectic Assembly	Pb-free Assembly
Average ramp-up rate (T _{smax} to T _p)	3°C/second max.	3°C/second max.
Preheat		
-Temperature Min(T _{s min})	100°C	150°C
-Temperature Max(T _{s max})	150°C	200°C
-Time(t _{s min} to t _{s max})	60-120 seconds	60-180 seconds
Time maintained above:		
-Temperature (T _L)	183°C	217°C
- Time (t _L)	60-150 seconds	60-150 seconds
Peak Temperature(T _p)	240 +0/-5 °C	260 +0/-5 °C
Time within 5°C of actual peak temperature(tp)	10-30 seconds	20-40 seconds
Ramp down rate	6°C/second max.	6°C/second max.
Time 25 °C to peak temperature	6 minutes max.	8 minutes max.

Note : All temperatures refer to topside of the package, measured on the package body surface.

SOP-8 Dimension



Marking:



Device Code → **4435A**

Date Code → □□□□(G) ← Production site code

Date Code(counting from left to right) :

1st code: year code, the last digit of Christian year

2nd code : month code, Jan→A, Feb→B, Mar→C, Apr→D
 May→E, Jun→F, Jul→G, Aug→H, Sep→J,
 Oct→K, Nov→L, Dec→M

3rd and 4th codes : production serial number, 01~99

Production site code : blank→ JCET, G →GEM

**8-Lead SOP-8 Plastic Package
 CYStek Package Code: Q8**

*: Typical

DIM	Millimeters		Inches		DIM	Millimeters		Inches	
	Min.	Max.	Min.	Max.		Min.	Max.	Min.	Max.
A	1.350	1.750	0.053	0.069	E	3.800	4.000	0.150	0.157
A1	0.100	0.250	0.004	0.010	E1	5.800	6.200	0.228	0.244
A2	1.350	1.550	0.053	0.061	e	*1.270		*0.050	
b	0.330	0.510	0.013	0.020	L	0.400	1.270	0.016	0.050
c	0.170	0.250	0.006	0.010	θ	0°	8°	0°	8°
D	4.700	5.100	0.185	0.200					

Notes: 1.Controlling dimension: millimeters.
 2.Maximum lead thickness includes lead finish thickness, and minimum lead thickness is the minimum thickness of base material.
 3.If there is any question with packing specification or packing method, please contact your local CYStek sales office.

Material:

- Lead: Pure tin plated.
- Mold Compound: Epoxy resin family, flammability solid burning class: UL94V-0.

Important Notice:

- All rights are reserved. Reproduction in whole or in part is prohibited without the prior written approval of CYStek.
- CYStek reserves the right to make changes to its products without notice.
- CYStek **semiconductor products are not warranted to be suitable for use in Life-Support Applications, or systems.**
- CYStek assumes no liability for any consequence of customer product design, infringement of patents, or application assistance.