

# N -Channel Enhancement Mode Power MOSFET

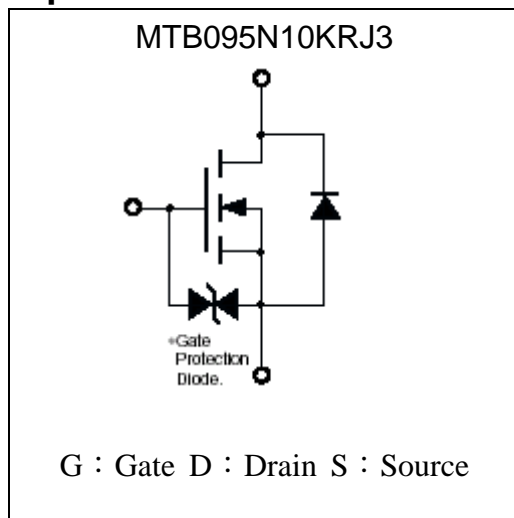
## MTB095N10KRJ3

$BV_{DSS}$	100V
$I_D @ V_{GS}=10V, T_C=25^\circ C$	10.9A
$R_{DS(on)} @ V_{GS}=10V, I_D=8A$	98m $\Omega$ (TYP)
$R_{DS(on)} @ V_{GS}=4.5V, I_D=6A$	128m $\Omega$ (TYP)

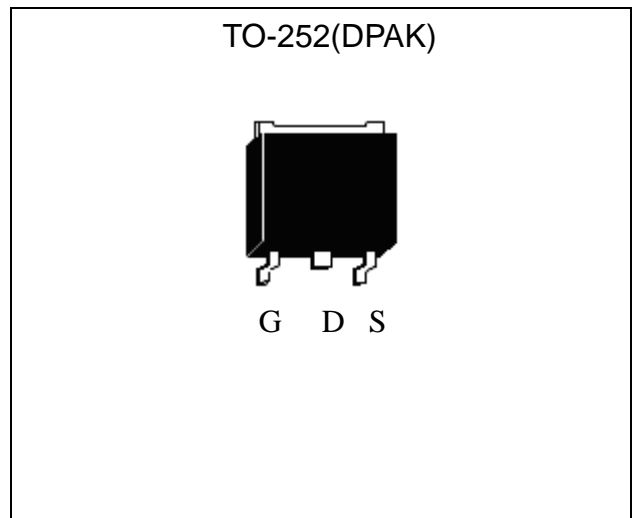
### Features

- Low Gate Charge
- Simple Drive Requirement
- ESD protected gate
- Pb-free lead plating & Halogen-free package

### Equivalent Circuit

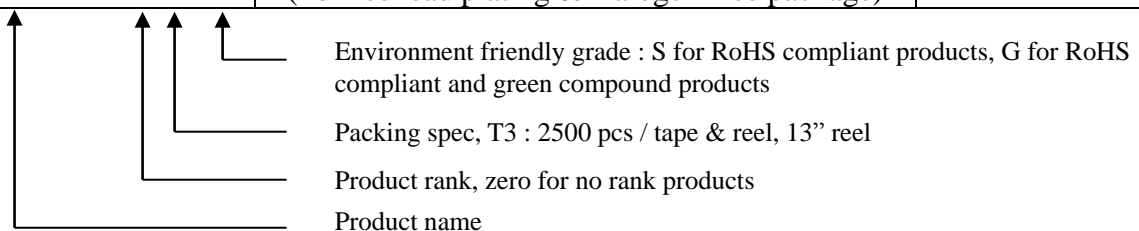


### Outline



### Ordering Information

Device	Package	Shipping
MTB095N10KRJ3-0-T3-G	TO-252 (Pb-free lead plating & Halogen-free package)	2500 pcs / Tape & Reel





**Absolute Maximum Ratings** (T<sub>c</sub>=25°C, unless otherwise noted)

Parameter	Symbol	Limits	Unit
Drain-Source Voltage	V <sub>DS</sub>	100	V
Gate-Source Voltage	V <sub>GS</sub>	±20	
Continuous Drain Current @ T <sub>c</sub> =25°C, V <sub>GS</sub> =10V	I <sub>D</sub>	10.9	A
Continuous Drain Current @ T <sub>c</sub> =100°C, V <sub>GS</sub> =10V		6.9	
Pulsed Drain Current *1	I <sub>DM</sub>	20	
Avalanche Current @ L=0.1mH	I <sub>AS</sub>	6	
Avalanche Energy @ L=1mH, I <sub>D</sub> =6A, V <sub>DD</sub> =50V	*3 E <sub>AS</sub>	18	mJ
Repetitive Avalanche Energy @ L=0.05mH	*2 E <sub>AR</sub>	3	
Total Power Dissipation @T <sub>c</sub> =25°C	P <sub>D</sub>	30	W
Total Power Dissipation @T <sub>c</sub> =100°C		12	
Operating Junction and Storage Temperature Range	T <sub>j</sub> , T <sub>stg</sub>	-55~+150	°C

Note : \*1. Pulse width limited by maximum junction temperature  
 \*2. Duty cycle ≤ 1%  
 \*3. 100% tested by L=0.1mH, I<sub>AS</sub>=4A, V<sub>GS</sub>=10V, V<sub>DD</sub>=25V

**Thermal Data**

Parameter	Symbol	Value	Unit
Thermal Resistance, Junction-to-case, max	R <sub>θJC</sub>	4.1	°C/W
Thermal Resistance, Junction-to-ambient, max	R <sub>θJA</sub>	50 (Note)	
		110	

Note : When the device is mounted on 1 in<sup>2</sup> FR-4 board with 2 oz. copper, in a still air environment with T<sub>A</sub>=25°C. The value in any given application depends on the user's specific board design.

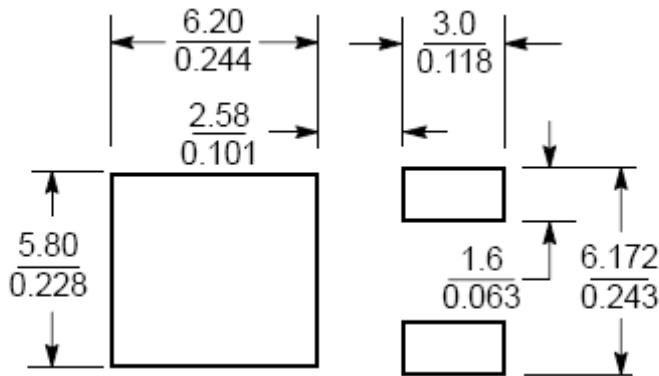
**Characteristics (T<sub>c</sub>=25°C, unless otherwise specified)**

Symbol	Min.	Typ.	Max.	Unit	Test Conditions
<b>Static</b>					
BV <sub>DSS</sub>	100	-	-	V	V <sub>GS</sub> =0V, I <sub>D</sub> =250μA
V <sub>GS(th)</sub>	1	-	2.5		V <sub>DS</sub> =V <sub>GS</sub> , I <sub>D</sub> =250μA
I <sub>GSS</sub>	-	-	±10	μA	V <sub>GS</sub> =±16V, V <sub>DS</sub> =0V
I <sub>DSS</sub>	-	-	1		V <sub>DS</sub> =80V, V <sub>GS</sub> =0V
	-	-	25		V <sub>DS</sub> =80V, V <sub>GS</sub> =0V, T <sub>J</sub> =125°C
R <sub>DS(ON)</sub> *1	-	98	130	mΩ	V <sub>GS</sub> =10V, I <sub>D</sub> =8A
	-	128	180		V <sub>GS</sub> =4.5V, I <sub>D</sub> =6A
G <sub>FS</sub> *1	-	4.9	-	S	V <sub>DS</sub> =10V, I <sub>D</sub> =5A
<b>Dynamic</b>					
Q <sub>g</sub> *1, 2	-	6.4	-	nC	I <sub>D</sub> =8A, V <sub>DS</sub> =80V, V <sub>GS</sub> =10V
Q <sub>gs</sub> *1, 2	-	1.4	-		
Q <sub>gd</sub> *1, 2	-	1.8	-		

$t_{d(ON)}$ *1, 2	-	5.4	-	ns	$V_{DS}=50V, I_D=8A, V_{GS}=10V, R_G=1\Omega$
$t_r$ *1, 2	-	15.8	-		
$t_{d(OFF)}$ *1, 2	-	15	-		
$t_f$ *1, 2	-	5	-		
$C_{iss}$	-	277	-	pF	$V_{GS}=0V, V_{DS}=50V, f=1MHz$
$C_{oss}$	-	34	-		
$C_{rss}$	-	8	-		
$R_g$	-	6.6	-	$\Omega$	$f=1MHz$
<b>Source-Drain Diode</b>					
$I_S$ *1	-	-	10.9	A	
$I_{SM}$ *3	-	-	20		
$V_{SD}$ *1	-	0.97	1.3	V	$I_S=8A, V_{GS}=0V$
$t_{rr}$	-	21.7	-	ns	$I_F=8A, dI_F/dt=100A/\mu s$
$Q_{rr}$	-	18.8	-	nC	

Note : \*1.Pulse Test : Pulse Width  $\leq 300\mu s$ , Duty Cycle  $\leq 2\%$   
 \*2.Independent of operating temperature  
 \*3.Pulse width limited by maximum junction temperature.

**Recommended soldering footprint**

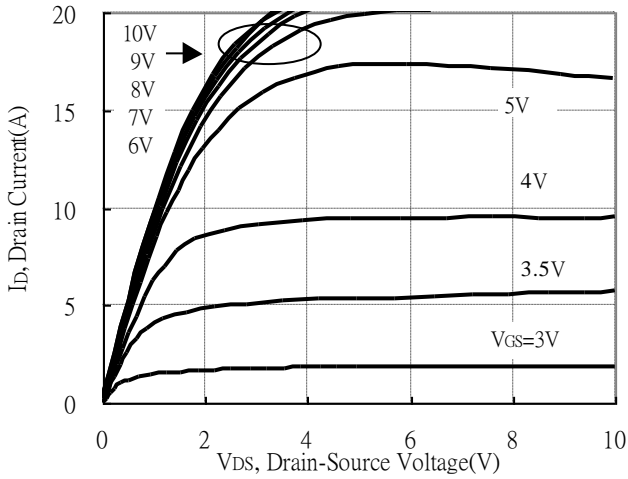


Unit (  $\frac{mm}{inch}$  )

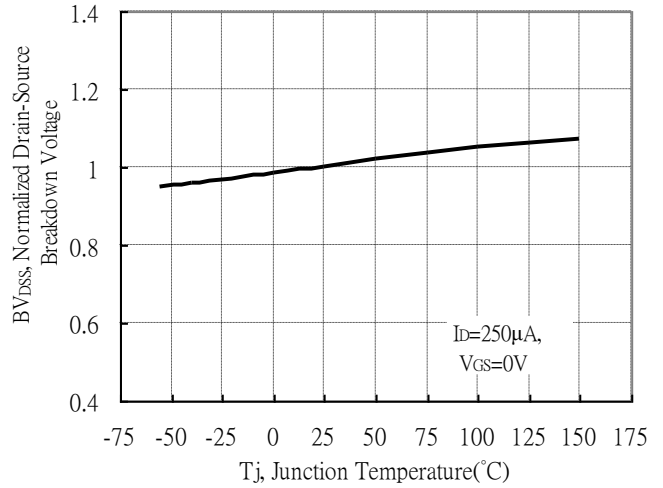


**Typical Characteristics**

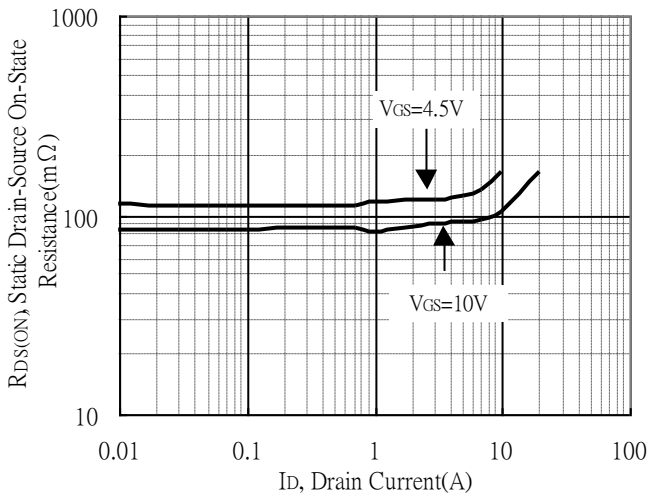
Typical Output Characteristics



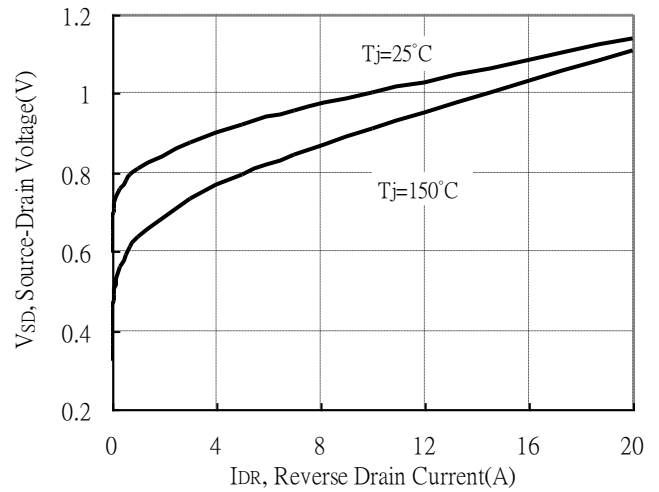
Brekdown Voltage vs Ambient Temperature



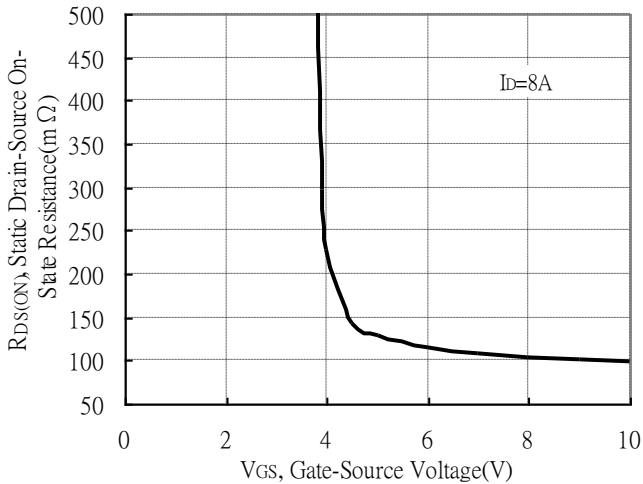
Static Drain-Source On-State resistance vs Drain Current



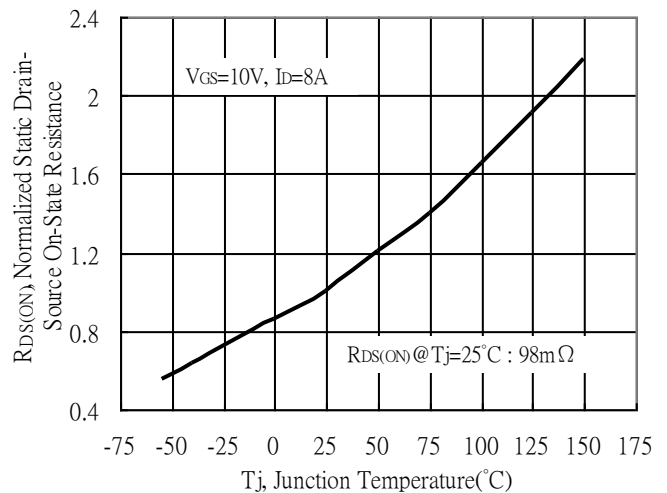
Reverse Drain Current vs Source-Drain Voltage



Static Drain-Source On-State Resistance vs Gate-Source Voltage

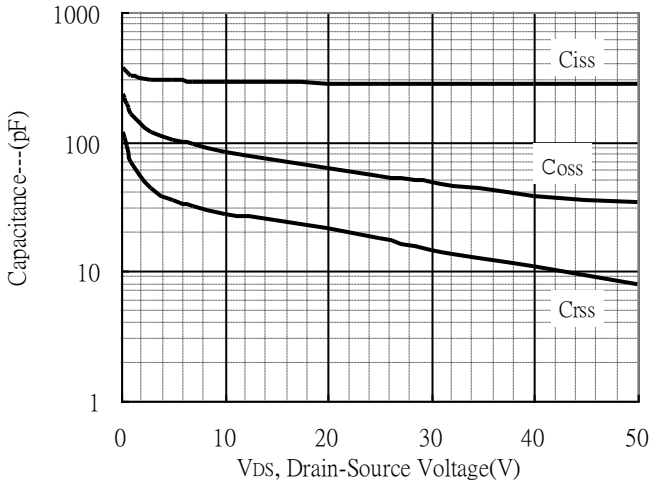


Drain-Source On-State Resistance vs Junction Temperature

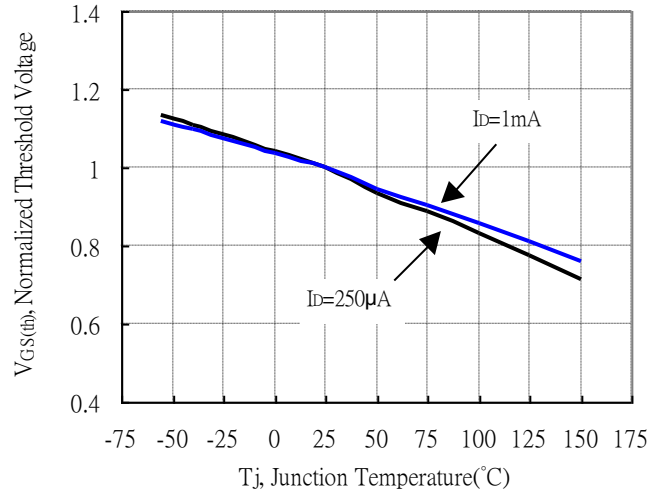


## Typical Characteristics(Cont.)

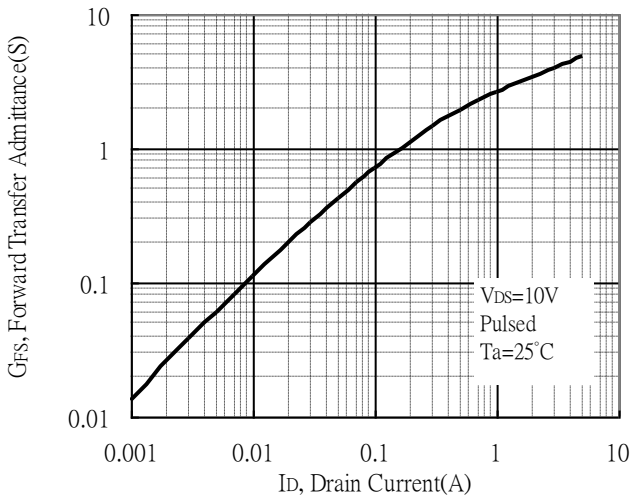
Capacitance vs Drain-to-Source Voltage



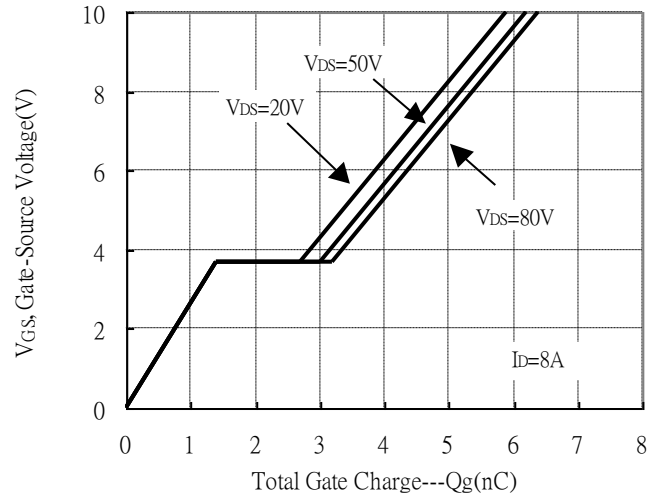
Normalized Threshold Voltage vs Junction Temperature



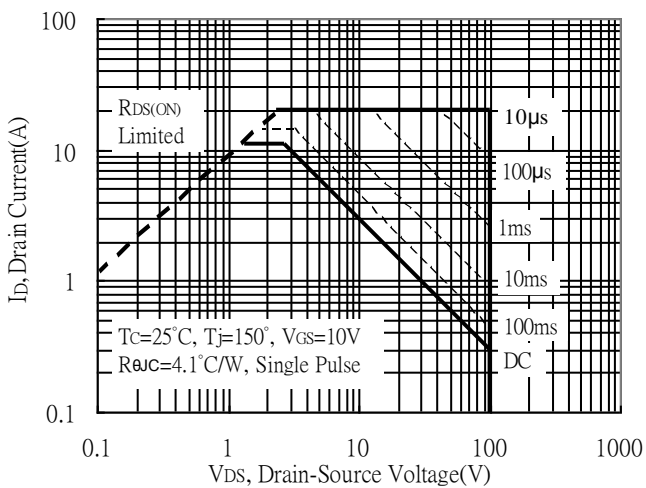
Forward Transfer Admittance vs Drain Current



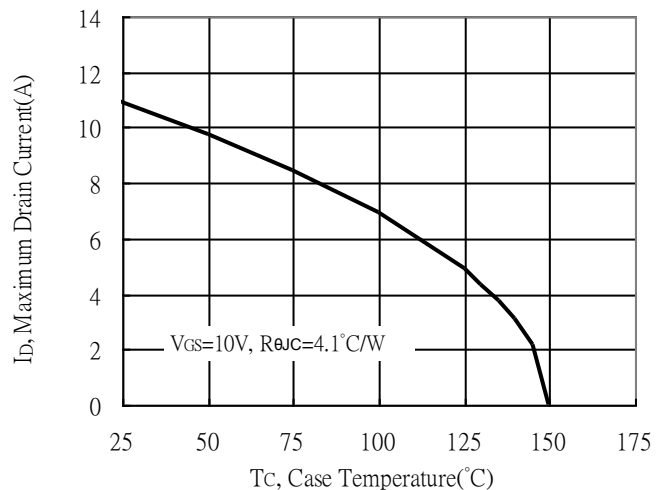
Gate Charge Characteristics



Maximum Safe Operating Area

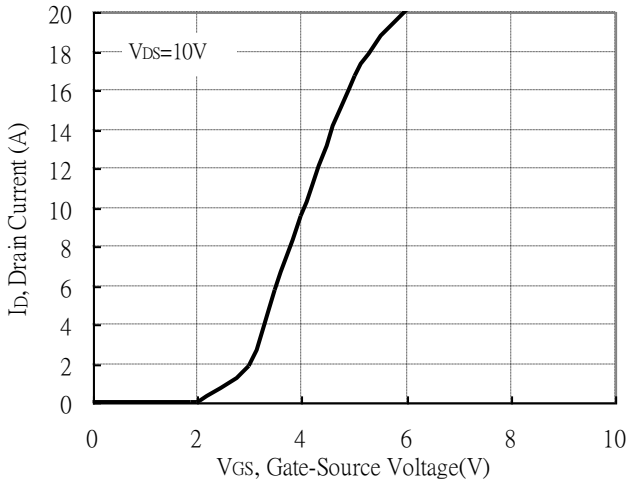


Maximum Drain Current vs Case Temperature

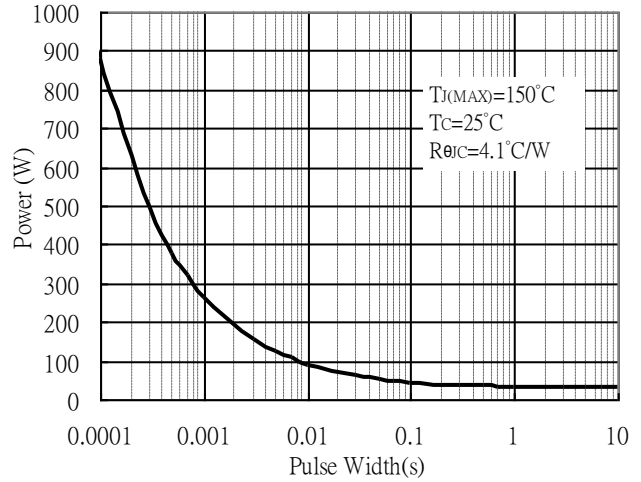


**Typical Characteristics(Cont.)**

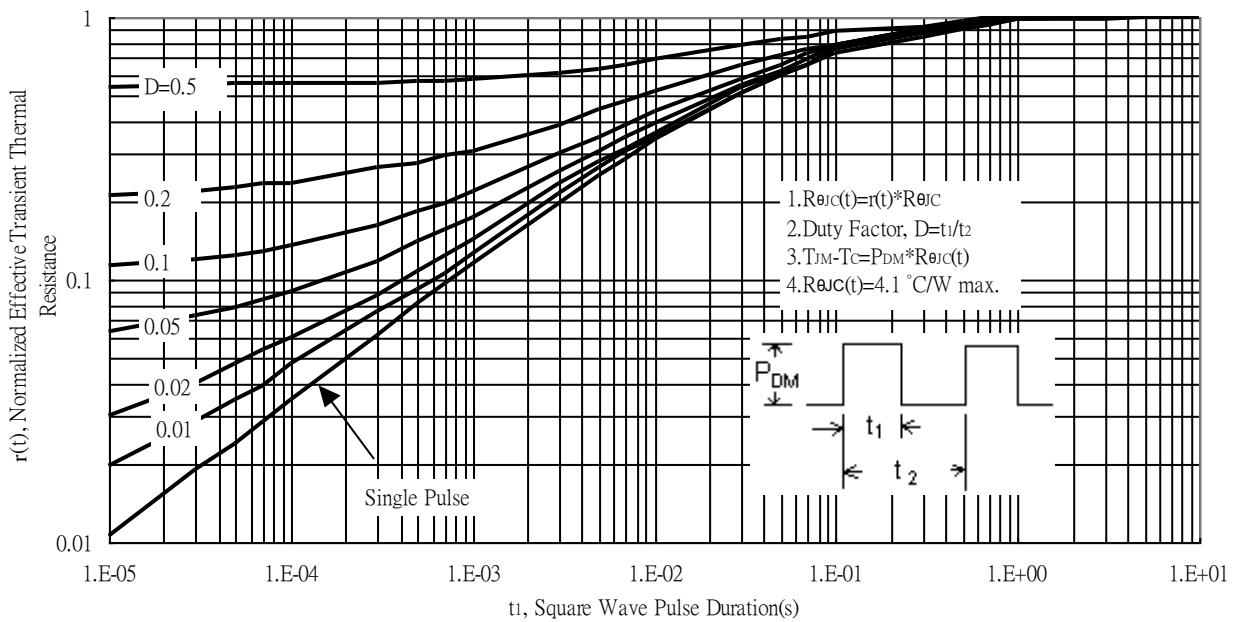
Typical Transfer Characteristics



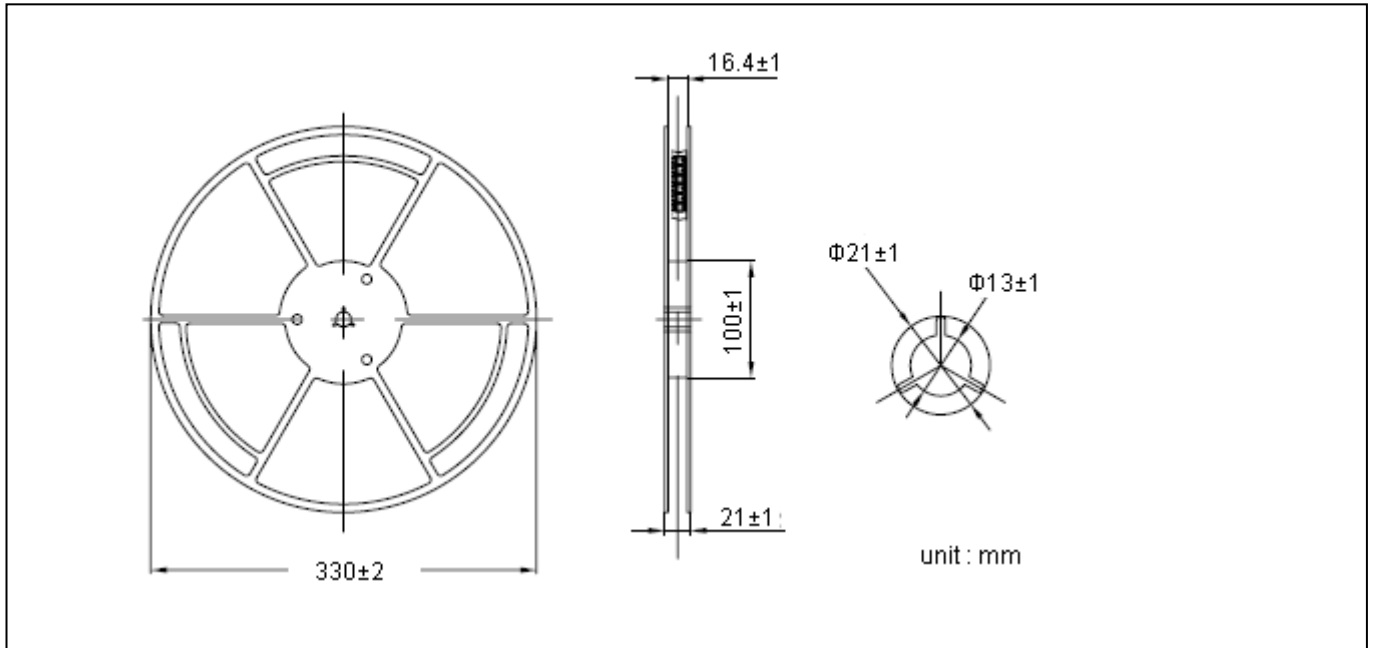
Single Pulse Power Rating, Junction to Case



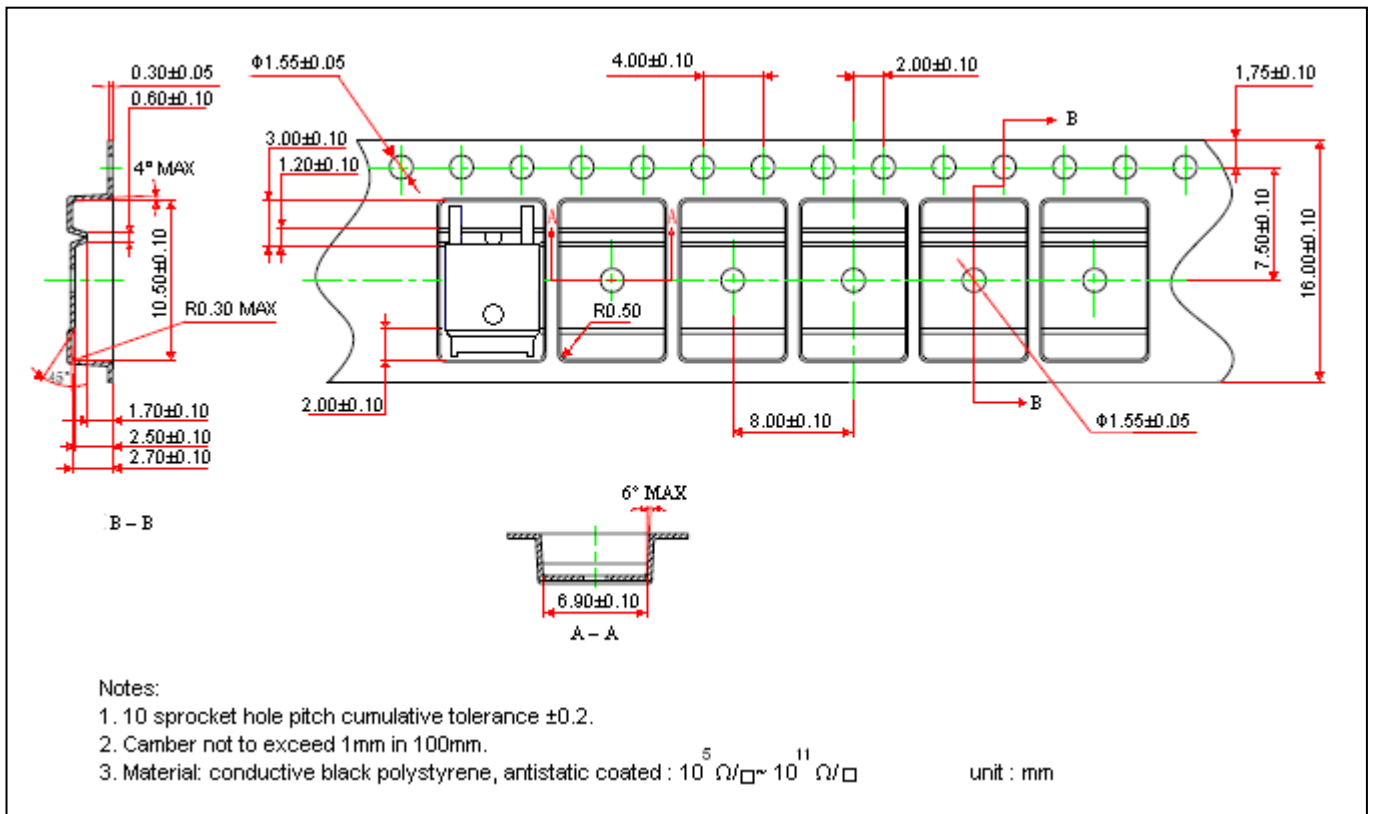
Transient Thermal Response Curves



## Reel Dimension



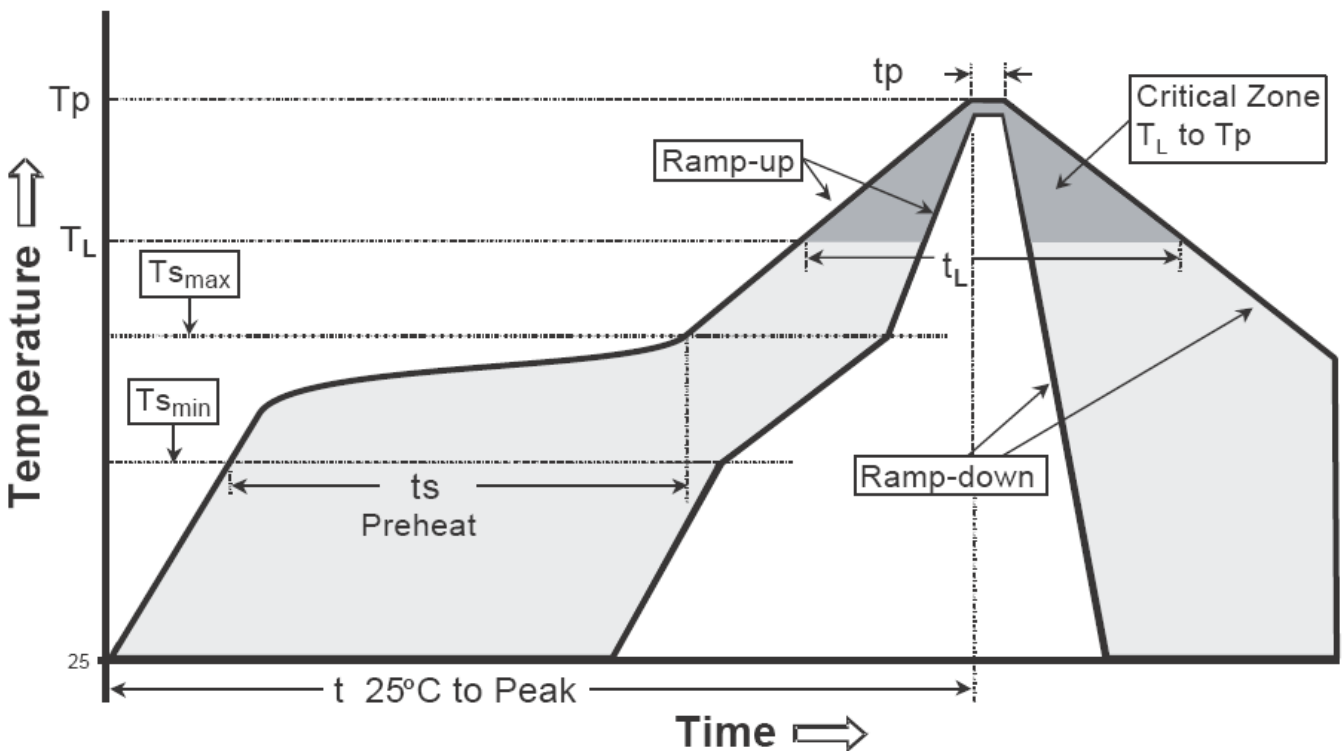
## Carrier Tape Dimension



**Recommended wave soldering condition**

Product	Peak Temperature	Soldering Time
Pb-free devices	260 +0/-5 °C	5 +1/-1 seconds

**Recommended temperature profile for IR reflow**

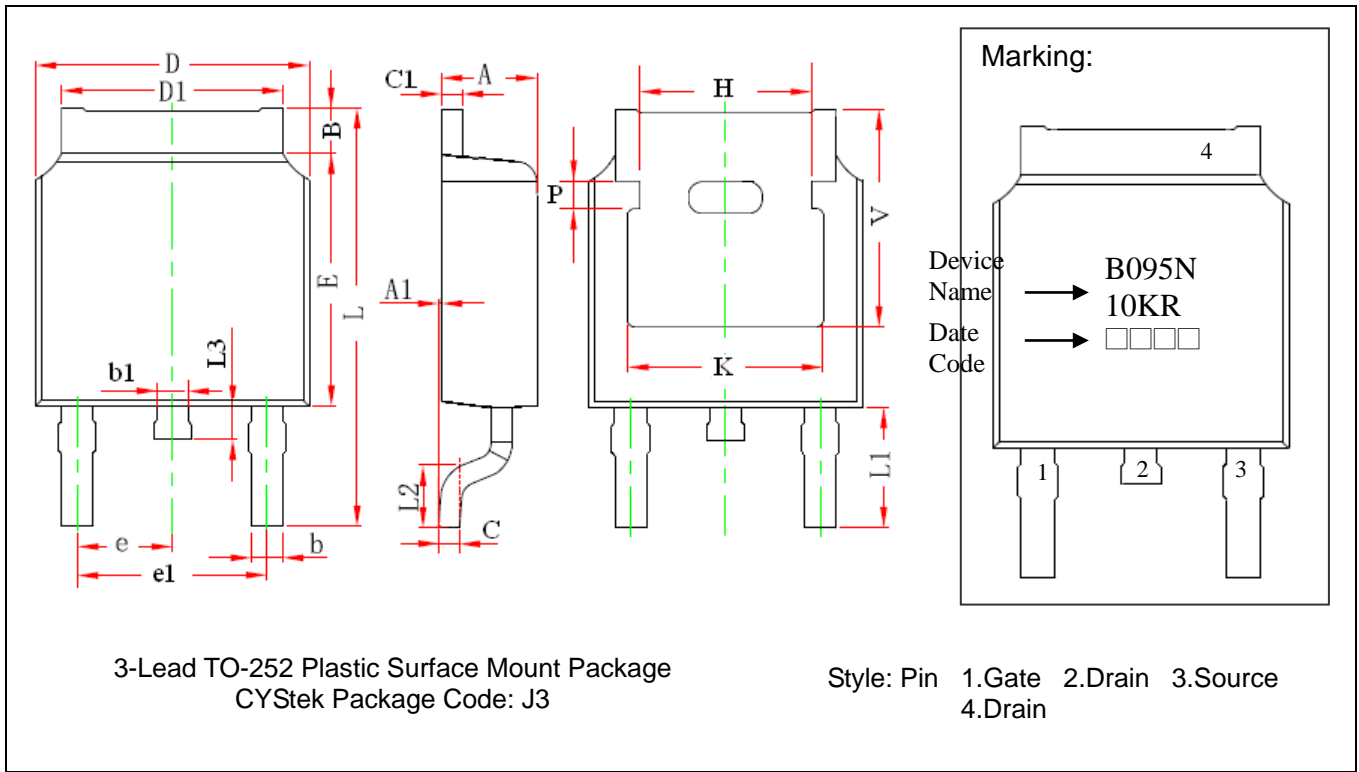


Profile feature	Sn-Pb eutectic Assembly	Pb-free Assembly
Average ramp-up rate (Tsmax to Tp)	3°C/second max.	3°C/second max.
Preheat		
-Temperature Min(Ts min)	100°C	150°C
-Temperature Max(Ts max)	150°C	200°C
-Time(ts min to ts max)	60-120 seconds	60-180 seconds
Time maintained above:		
-Temperature (TL)	183°C	217°C
- Time (tL)	60-150 seconds	60-150 seconds
Peak Temperature(TP)	240 +0/-5 °C	260 +0/-5 °C
Time within 5°C of actual peak temperature(tp)	10-30 seconds	20-40 seconds
Ramp down rate	6°C/second max.	6°C/second max.
Time 25 °C to peak temperature	6 minutes max.	8 minutes max.

Note : All temperatures refer to topside of the package, measured on the package body surface.



**TO-252 Dimension**



DIM	Inches		Millimeters		DIM	Inches		Millimeters	
	Min.	Max.	Min.	Max.		Min.	Max.	Min.	Max.
A	0.087	0.094	2.200	2.400	e	0.086	0.094	2.186	2.386
A1	0.000	0.005	0.000	0.127	e1	0.172	0.188	4.372	4.772
B	0.039	0.048	0.990	1.210	H	0.163	REF	4.140	REF
b	0.026	0.034	0.660	0.860	K	0.190	REF	4.830	REF
b1	0.026	0.034	0.660	0.860	L	0.386	0.409	9.800	10.400
C	0.018	0.023	0.460	0.580	L1	0.114	REF	2.900	REF
C1	0.018	0.023	0.460	0.580	L2	0.055	0.067	1.400	1.700
D	0.256	0.264	6.500	6.700	L3	0.024	0.039	0.600	1.000
D1	0.201	0.215	5.100	5.460	P	0.026	REF	0.650	REF
E	0.236	0.244	6.000	6.200	V	0.211	REF	5.350	REF

Notes: 1.Controlling dimension: millimeters.  
 2.Maximum lead thickness includes lead finish thickness, and minimum lead thickness is the minimum thickness of base material.  
 3.If there is any question with packing specification or packing method, please contact your local CYStek sales office.

**Material:**

- Lead : Pure tin plated.
- Mold Compound: Epoxy resin family, flammability solid burning class: UL94V-0.

**Important Notice:**

- All rights are reserved. Reproduction in whole or in part is prohibited without the prior written approval of CYStek.
- CYStek reserves the right to make changes to its products without notice.
- CYStek **semiconductor products are not warranted to be suitable for use in Life-Support Applications, or systems.**
- CYStek assumes no liability for any consequence of customer product design, infringement of patents, or application assistance.