

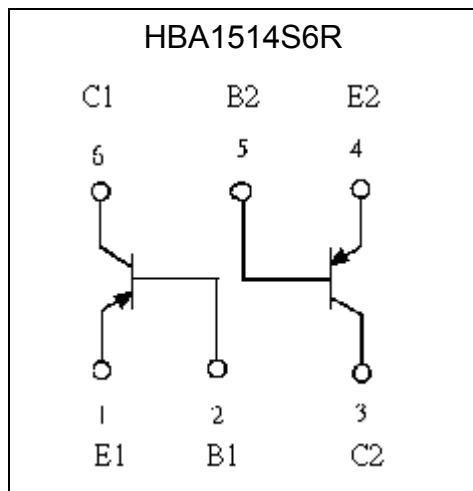
**General Purpose PNP Epitaxial Planar Transistors
 (dual transistors)**

HBA1514S6R

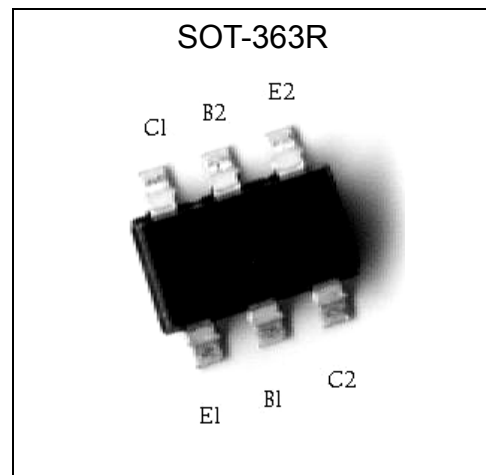
Features

- Two BTA1514 chips in a SOT-363 package.
- Mounting possible with SOT-323 automatic mounting machines.
- Transistor elements are independent, eliminating interference.
- Mounting cost and area can be cut in half.
- Complementary to HBC3906S6R.
- Pb-free lead plating and halogen-free package.

Symbol

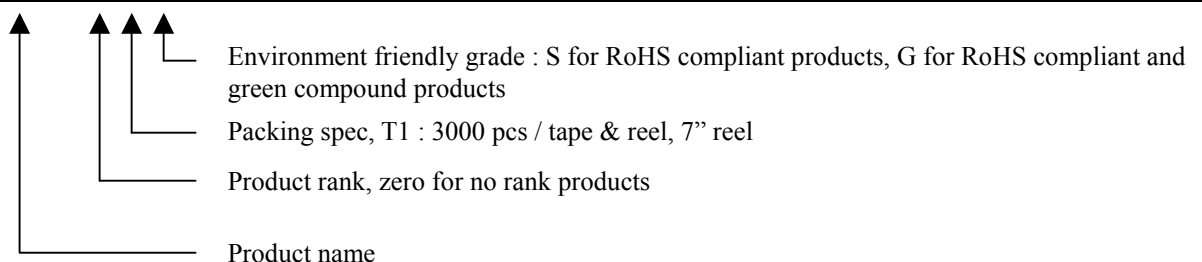


Outline



Ordering Information

Device	Package	Shipping
HBA1514S6R-0-T1-G	SOT-363 (Pb-free lead plating and halogen-free package)	3000 pcs / tape & reel





The following characteristics apply to both Tr1 and Tr2

Absolute Maximum Ratings (Ta=25°C)

Parameter	Symbol	Limits	Unit
Collector-Base Voltage	V _{CBO}	-180	V
Collector-Emitter Voltage	V _{CEO}	-160	V
Emitter-Base Voltage	V _{EBO}	-5	V
Collector Current	I _C	-0.6	A
Total Power Dissipation	P _D	200 (Note)	mW
Thermal Resistance, Junction to Ambient	R _{θJA}	625	°C/W
Operating Junction and Storage Temperature Range	T _j ; T _{stg}	-55~+150	°C

Note : 150mW per element must not be exceeded

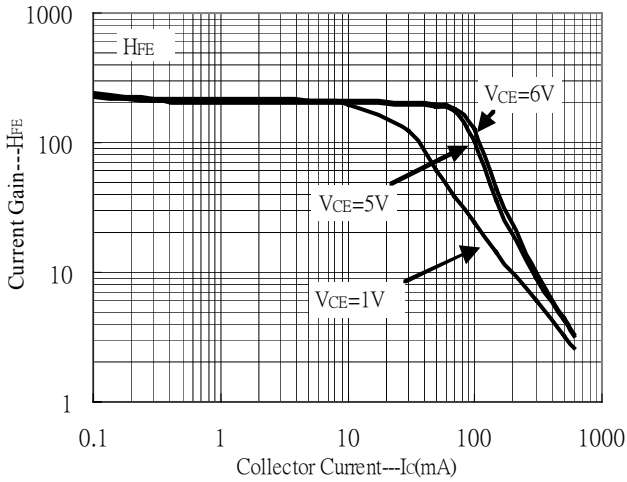
Characteristics (Ta=25°C)

Symbol	Min.	Typ.	Max.	Unit	Test Conditions
BV _{CBO}	-180	-	-	V	I _C =-50μA
BV _{CEO}	-160	-	-	V	I _C =-1mA
BV _{EBO}	-5	-	-	V	I _E =-50μA
I _{CBO}	-	-	-50	nA	V _{CB} =-120V
I _{EBO}	-	-	-50	nA	V _{EB} =-4V
*V _{CE(sat)} 1	-	0.11	-0.16	V	I _C =-10mA, I _B =-1mA
*V _{CE(sat)} 2	-	0.25	-0.3	V	I _C =-50mA, I _B =-5mA
*V _{BE(sat)} 1	-	-	-1	V	I _C =-10mA, I _B =-1mA
*V _{BE(sat)} 2	-	-	-1	V	I _C =-50mA, I _B =-5mA
h _{FE} 1	100	-	-	-	V _{CE} =-5V, I _C =-1mA
h _{FE} 2	100	-	-	-	V _{CE} =-5V, I _C =-10mA
h _{FE} 3	50	-	-	-	V _{CE} =-5V, I _C =-50mA
h _{FE} 4	120	-	270	-	V _{CE} =-6V, I _C =-2mA
f _T	100	-	-	MHz	V _{CE} =-30V, I _C =-10mA, f=100MHz
C _{ob}	-	-	6	pF	V _{CB} =-10V, f=1MHz

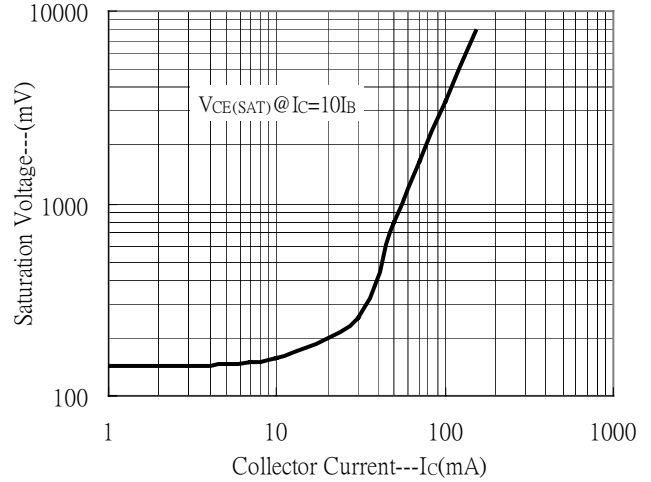
*Pulse Test: Pulse Width ≤380μs, Duty Cycle≤2%

Typical Characteristics

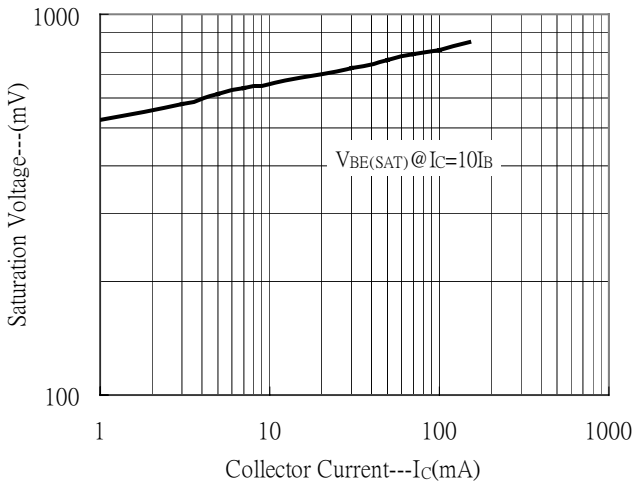
Current Gain vs Collector Current



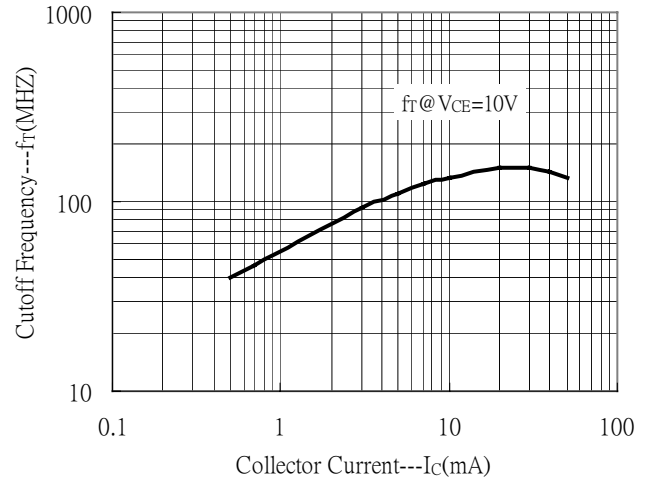
Saturation Voltage vs Collector Current



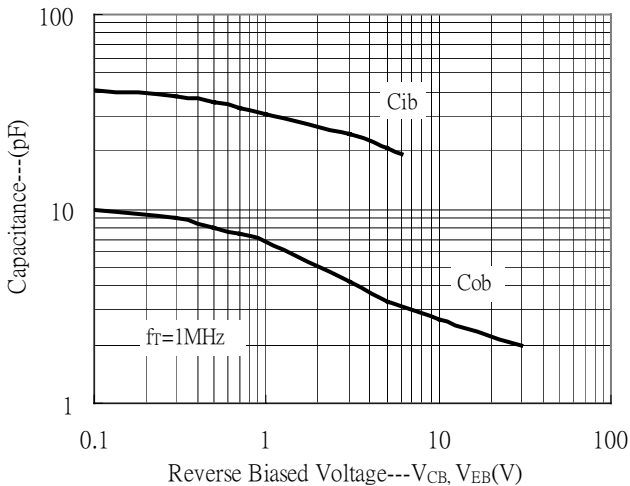
Saturation Voltage vs Collector Current



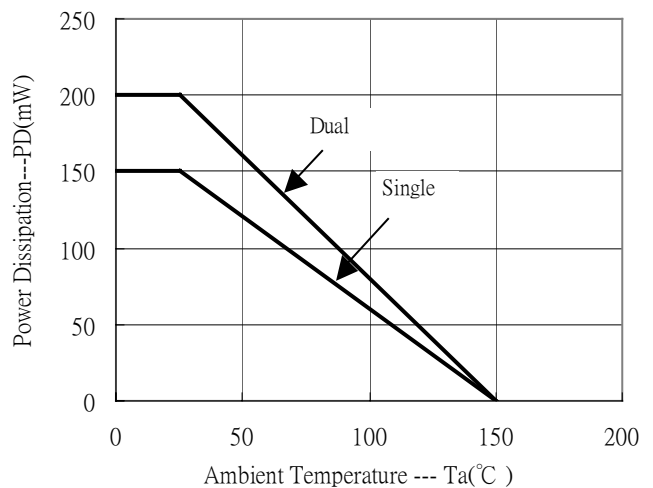
Cutoff Frequency vs Collector Current



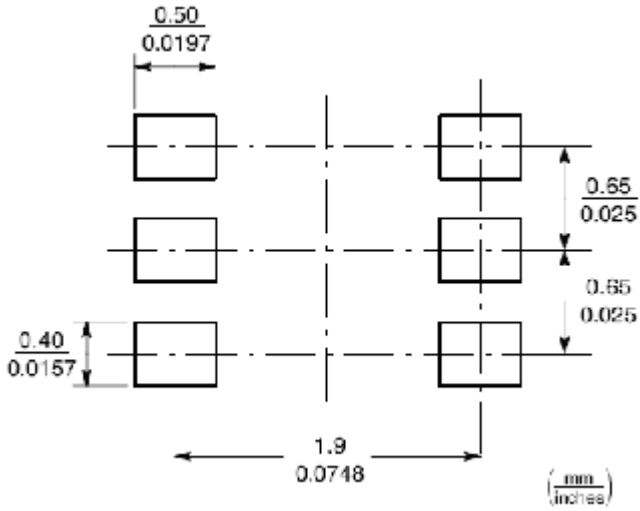
Capacitance Characteristics



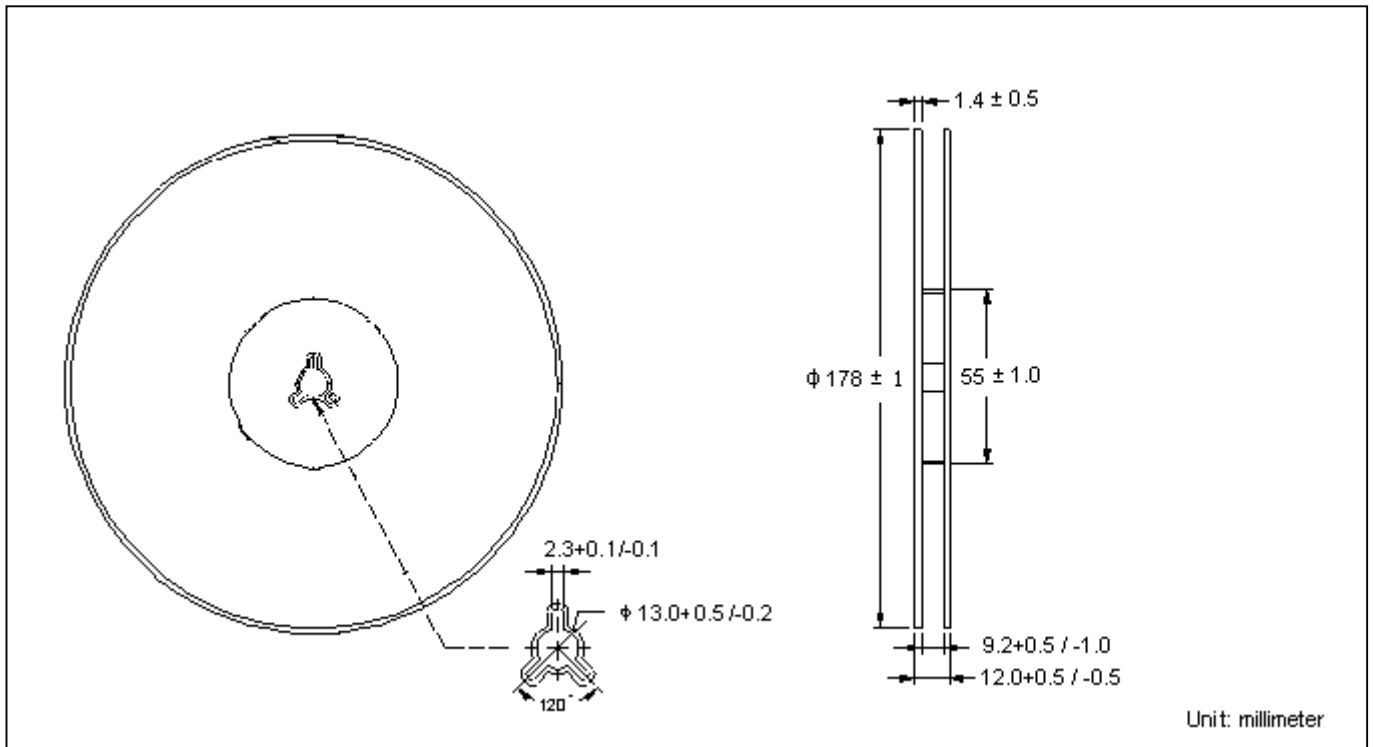
Power Derating Curves



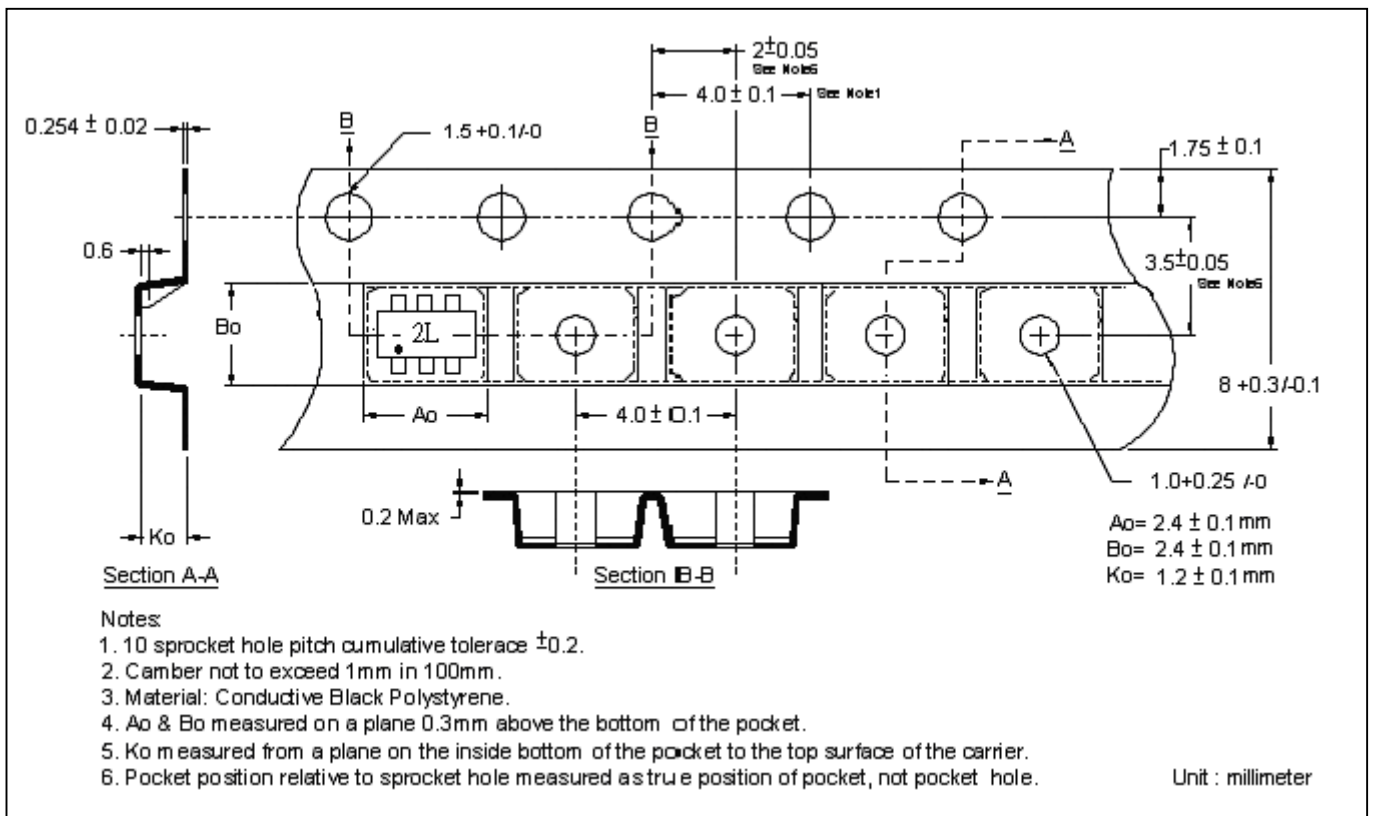
Recommended Soldering Footprint



Reel Dimension



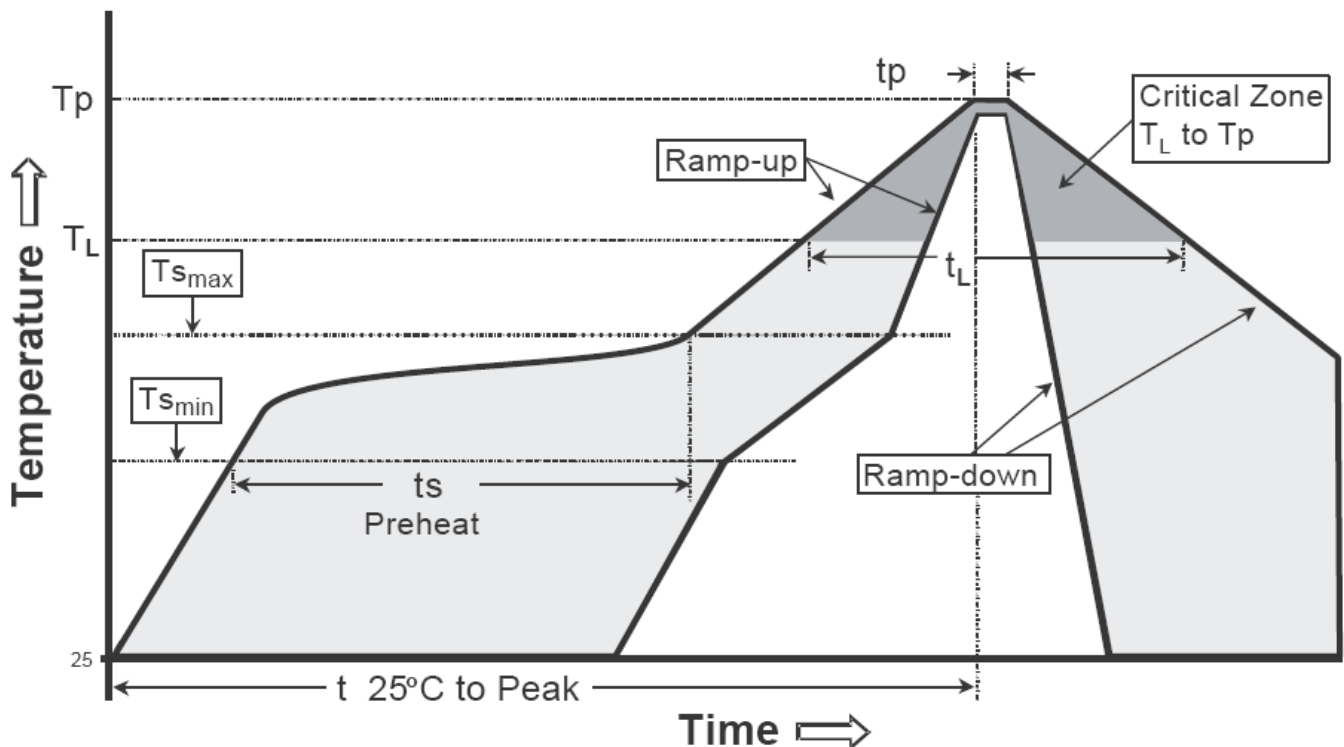
Carrier Tape Dimension



Recommended wave soldering condition

Product	Peak Temperature	Soldering Time
Pb-free devices	260 +0/-5 °C	5 +1/-1 seconds

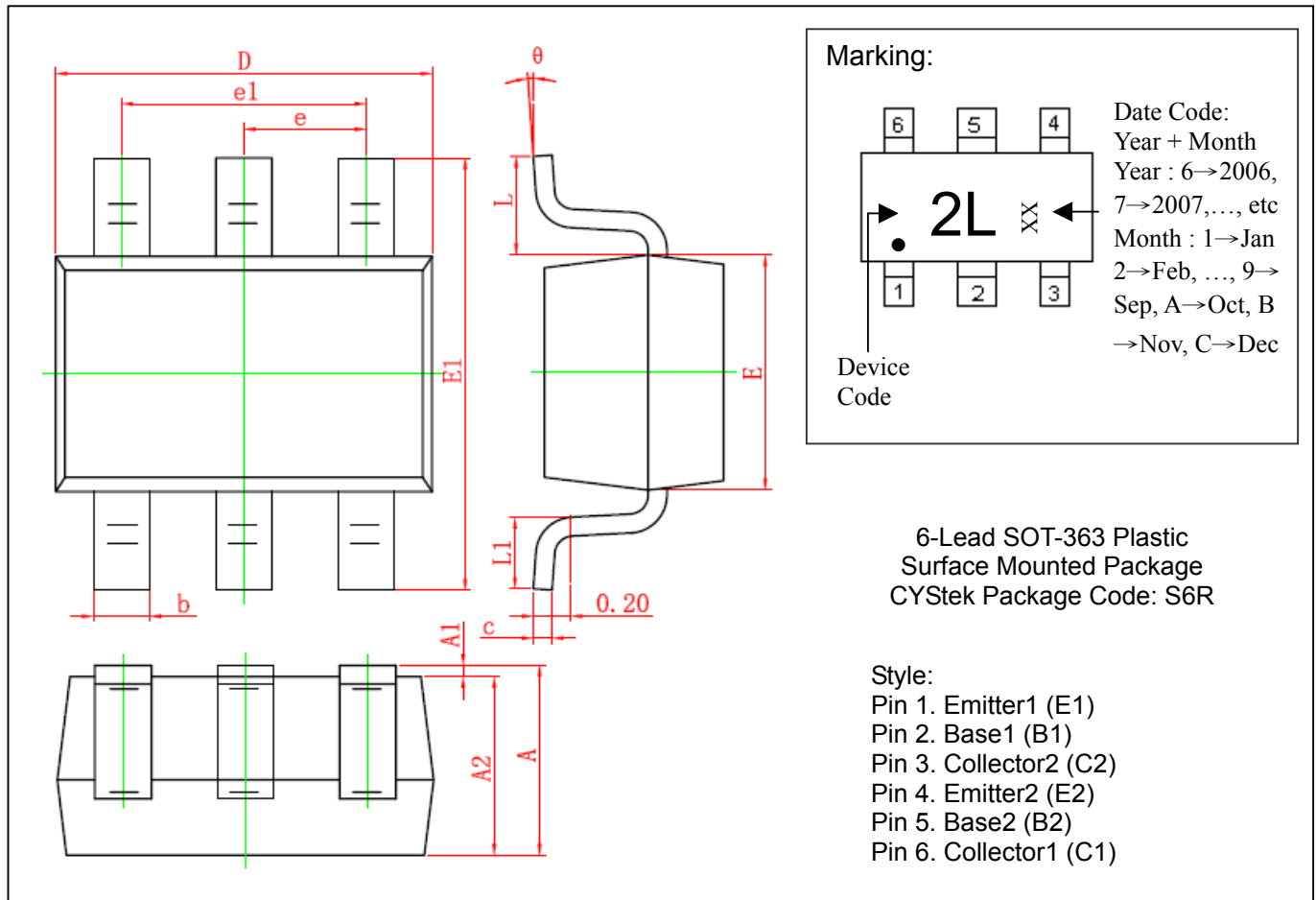
Recommended temperature profile for IR reflow



Profile feature	Sn-Pb eutectic Assembly	Pb-free Assembly
Average ramp-up rate (T _{smax} to T _p)	3°C/second max.	3°C/second max.
Preheat		
-Temperature Min(T _{s min})	100°C	150°C
-Temperature Max(T _{s max})	150°C	200°C
-Time(t _{s min} to t _{s max})	60-120 seconds	60-180 seconds
Time maintained above:		
-Temperature (T _L)	183°C	217°C
- Time (t _L)	60-150 seconds	60-150 seconds
Peak Temperature(T _P)	240 +0/-5 °C	260 +0/-5 °C
Time within 5°C of actual peak temperature(tp)	10-30 seconds	20-40 seconds
Ramp down rate	6°C/second max.	6°C/second max.
Time 25 °C to peak temperature	6 minutes max.	8 minutes max.

Note : All temperatures refer to topside of the package, measured on the package body surface.

SOT-363 Dimension



DIM	Millimeters		Inches		DIM	Millimeters		Inches	
	Min.	Max.	Min.	Max.		Min.	Max.	Min.	Max.
A	0.900	1.100	0.035	0.043	E1	2.150	2.450	0.085	0.096
A1	0.000	0.100	0.000	0.004	e	0.650 TYP		0.026 TYP	
A2	0.900	1.000	0.035	0.039	e1	1.200	1.400	0.047	0.055
b	0.150	0.350	0.006	0.014	L	0.525 REF		0.021 REF	
c	0.080	0.150	0.003	0.006	L1	0.260	0.460	0.010	0.018
D	2.000	2.200	0.079	0.087	θ	0°	8°	0°	8°
E	1.150	1.350	0.045	0.053					

Notes : 1.Controlling dimension : millimeters.
 2.Maximum lead thickness includes lead finish thickness, and minimum lead thickness is the minimum thickness of base material.
 3.If there is any question with packing specification or packing method, please contact your local CYStek sales office.

Material :

- Lead : Pure tin plated.
- Mold Compound : Epoxy resin family, flammability solid burning class:UL94V-0.

Important Notice:

- All rights are reserved. Reproduction in whole or in part is prohibited without the prior written approval of CYStek.
- CYStek reserves the right to make changes to its products without notice.
- CYStek **semiconductor products are not warranted to be suitable for use in Life-Support Applications, or systems.**
- CYStek assumes no liability for any consequence of customer product design, infringement of patents, or application assistance.