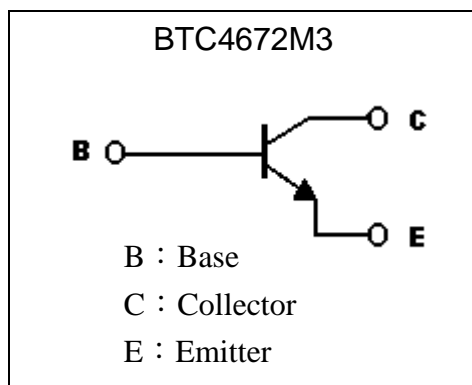
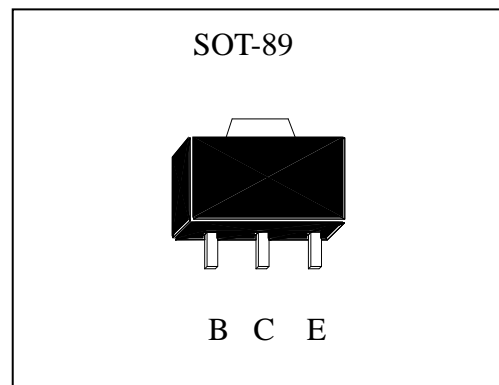


**Silicon NPN Epitaxial Planar Transistor**

# BTC4672M3

**Features**

- Low saturation voltage, typically  $V_{CE(sat)}=0.1V$  at  $I_C/I_B=1A/50mA$
- Excellent DC current gain characteristics
- Complementary to BTA1797M3
- Pb-free lead plating and halogen-free package

**Symbol**

**Outline**

**Absolute Maximum Ratings** ( $T_a=25^{\circ}C$ )

Parameter	Symbol	Limits	Unit
Collector-Base Voltage	$V_{CBO}$	100	V
Collector-Emitter Voltage	$V_{CEO}$	60	V
Emitter-Base Voltage	$V_{EBO}$	6	V
Collector Current (DC)	$I_C$	5	A
Collector Current (Pulse)	$I_{CP}$	9	A
Power Dissipation	$P_D$	0.6	W
		1 (Note 1)	
		2 (Note 2)	
Junction Temperature	$T_j$	150	$^{\circ}C$
Storage Temperature	$T_{stg}$	-55~+150	$^{\circ}C$

 Note : 1. When mounted on FR-4 PCB with area measuring  $10 \times 10 \times 1$  mm

 2 . When mounted on ceramic with area measuring  $40 \times 40 \times 1$  mm



## Thermal Characteristics

Parameter	Symbol	Value	Unit
Thermal Resistance, Junction to Ambient	R <sub>θJA</sub>	208	°C/W
		125 (Note 1)	
		62.5 (Note 2)	
Thermal Resistance, Junction to Case	R <sub>θJC</sub>	105	°C/W
		60	
		39.3	

Note : 1. When mounted on FR-4 PCB with area measuring 10×10×1 mm  
 2. When mounted on ceramic with area measuring 40×40×1 mm

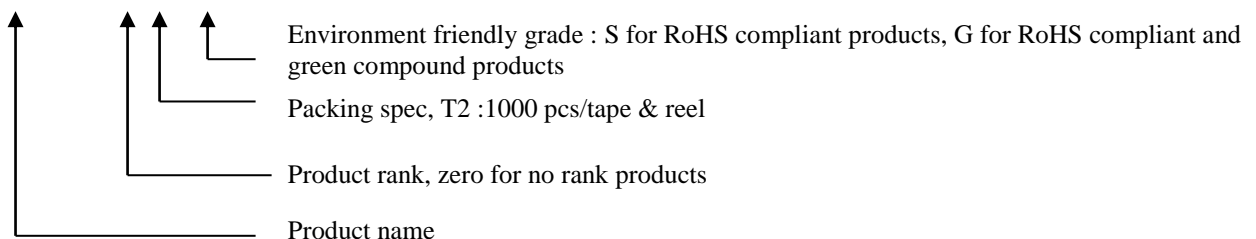
## Characteristics (Ta=25°C)

Symbol	Min.	Typ.	Max.	Unit	Test Conditions
BV <sub>CBO</sub>	100	-	-	V	I <sub>C</sub> =50μA, I <sub>E</sub> =0
BV <sub>CEO</sub>	60	-	-	V	I <sub>C</sub> =1mA, I <sub>B</sub> =0
BV <sub>EBO</sub>	6	-	-	V	I <sub>E</sub> =50μA, I <sub>C</sub> =0
I <sub>CBO</sub>	-	-	0.1	μA	V <sub>CB</sub> =100V, I <sub>E</sub> =0
I <sub>EBO</sub>	-	-	0.1	μA	V <sub>EB</sub> =5V, I <sub>C</sub> =0
*V <sub>CE(sat)</sub>	-	0.1	0.35	V	I <sub>C</sub> =1A, I <sub>B</sub> =50mA
*V <sub>CE(sat)</sub>	-	0.23	0.4	V	I <sub>C</sub> =3A, I <sub>B</sub> =300mA
*V <sub>BE(sat)</sub>	0.5	-	1.2	V	I <sub>C</sub> =1A, I <sub>B</sub> =100mA
h <sub>FE1</sub>	250	-	500	-	V <sub>CE</sub> =2V, I <sub>C</sub> =500mA
h <sub>FE2</sub>	80	-	-	-	V <sub>CE</sub> =2V, I <sub>C</sub> =1.5A
f <sub>T</sub>	-	210	-	MHz	V <sub>CE</sub> =2V, I <sub>C</sub> =500mA, f=100MHz
C <sub>ob</sub>	-	25	-	pF	V <sub>CB</sub> =10V, I <sub>E</sub> =0, f=1MHz

\*Pulse Test: Pulse Width ≤380μs, Duty Cycle ≤2%

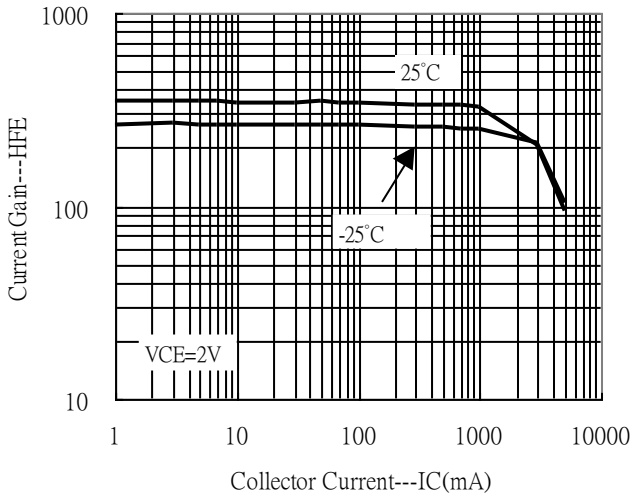
## Ordering Information

Device	Package	Shipping
BTC4672M3-0-T2-G	SOT-89 (Pb-free lead plating and halogen-free package)	1000 pcs / Tape & Reel

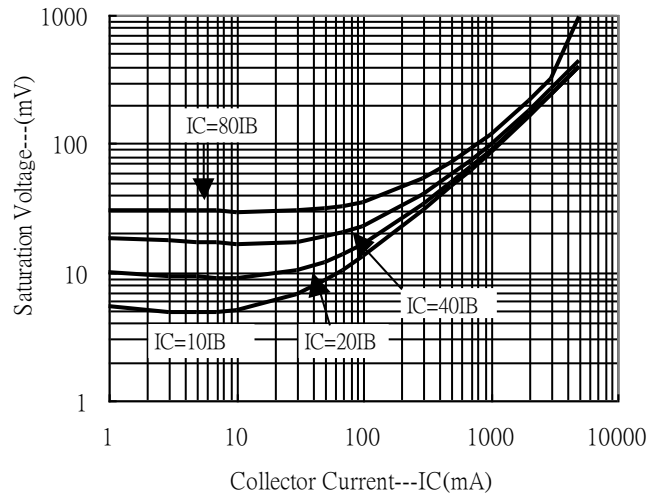


**Typical Characteristics**

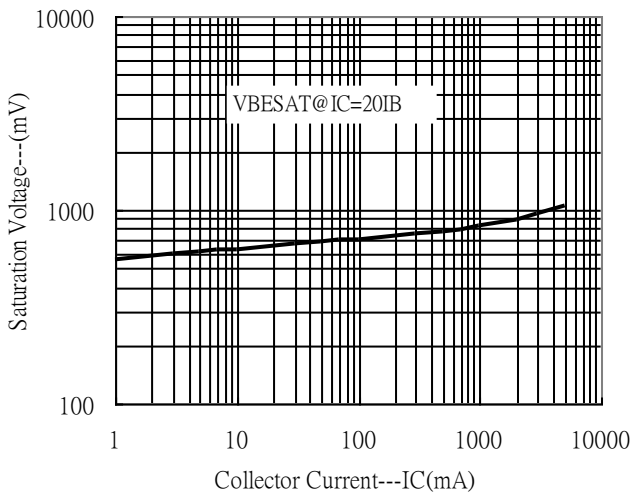
Current Gain vs Collector Current



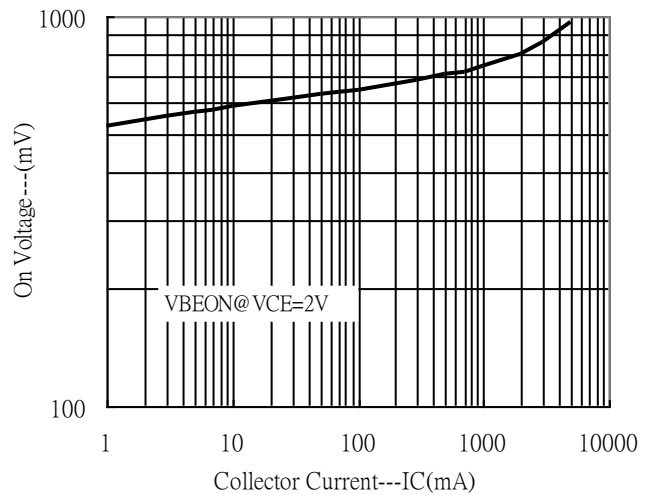
Saturation Voltage vs Collector Current



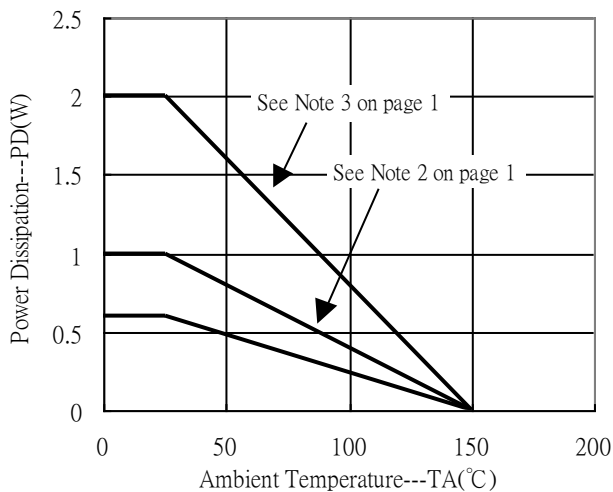
Saturation Voltage vs Collector Current



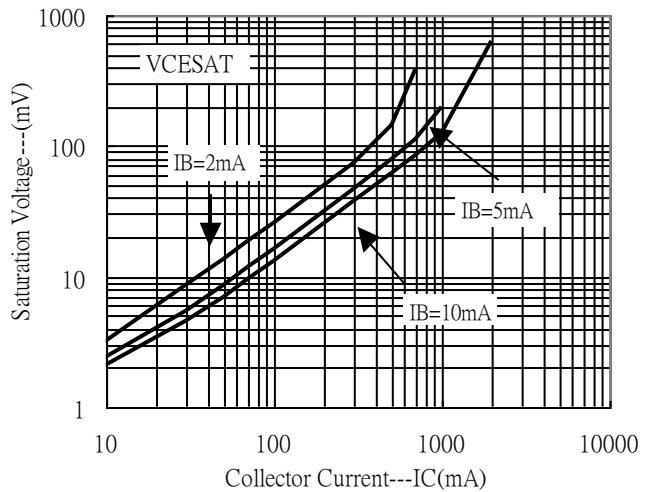
On Voltage vs Collector Current



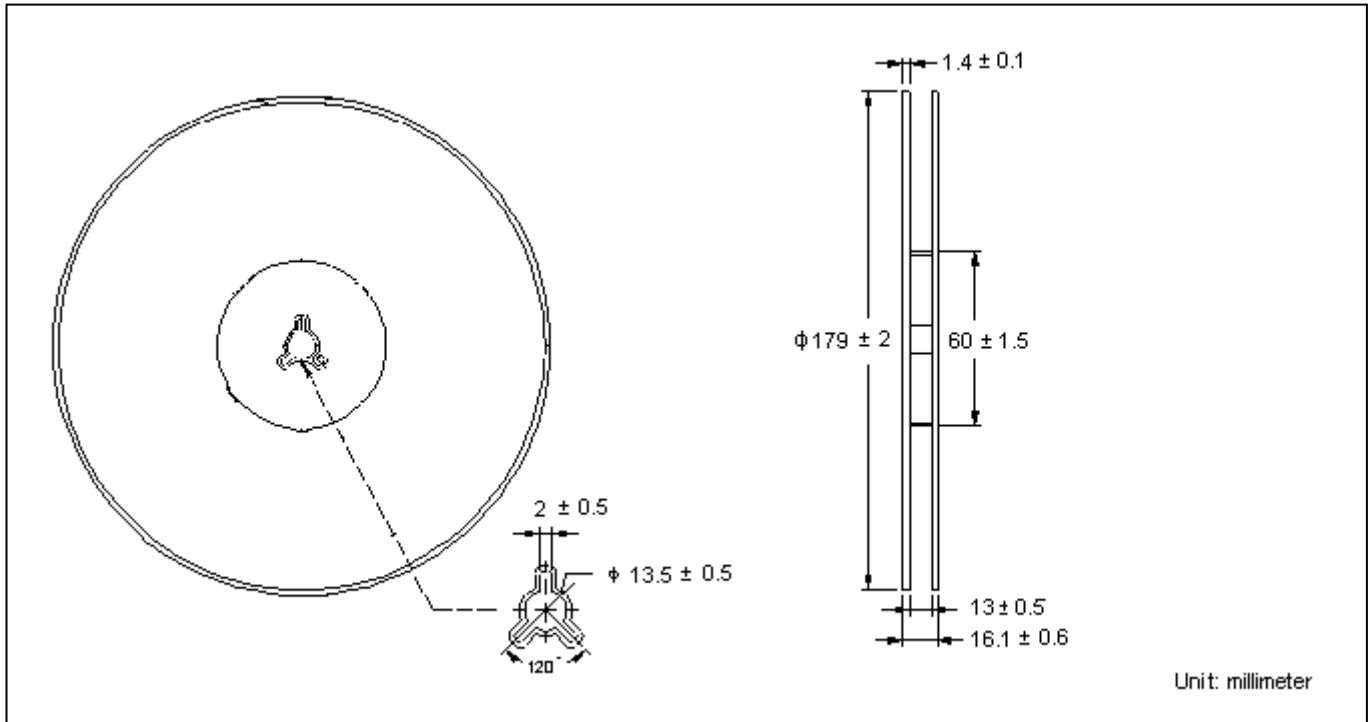
Power Derating Curve



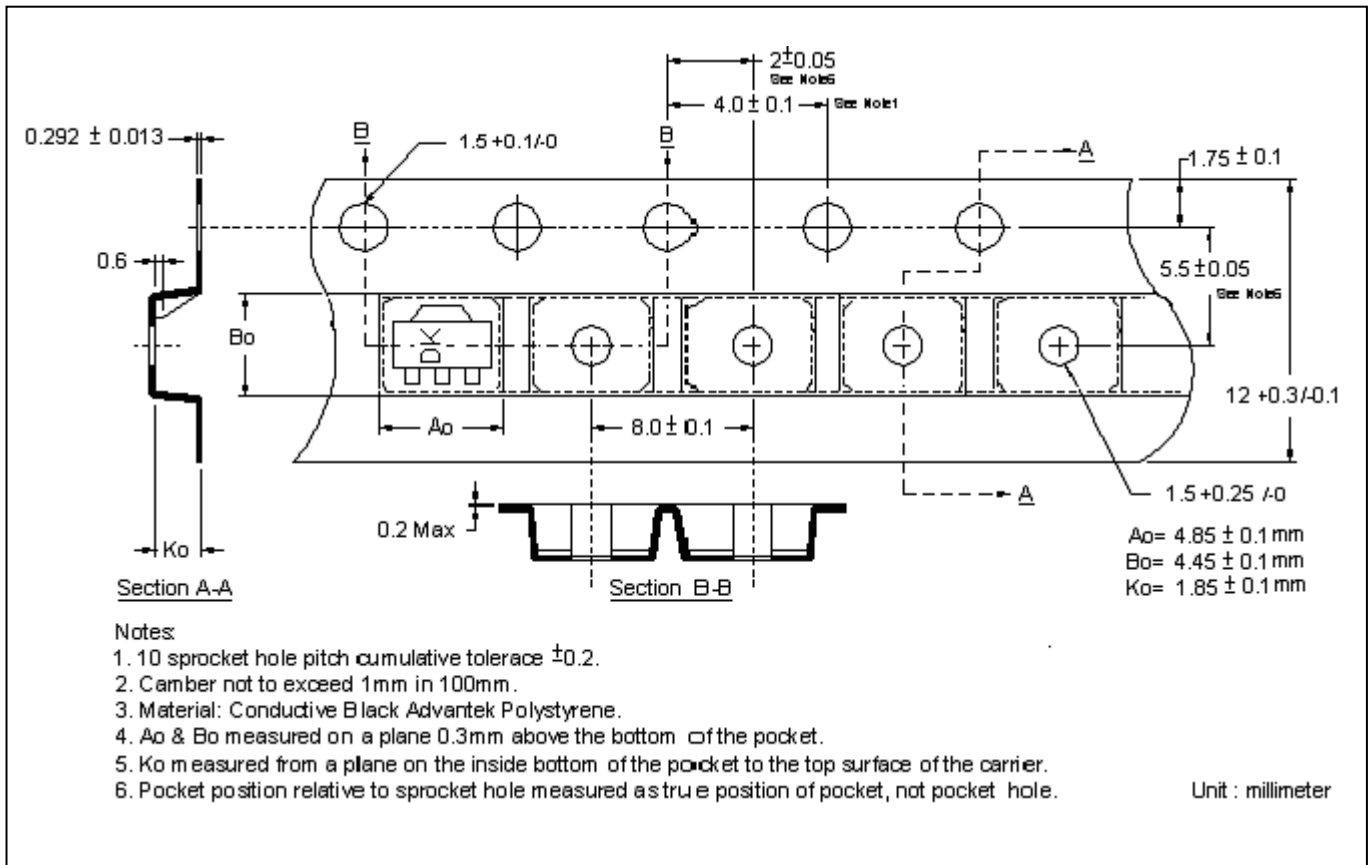
Saturation Voltage vs Collector Current



**Reel Dimension**



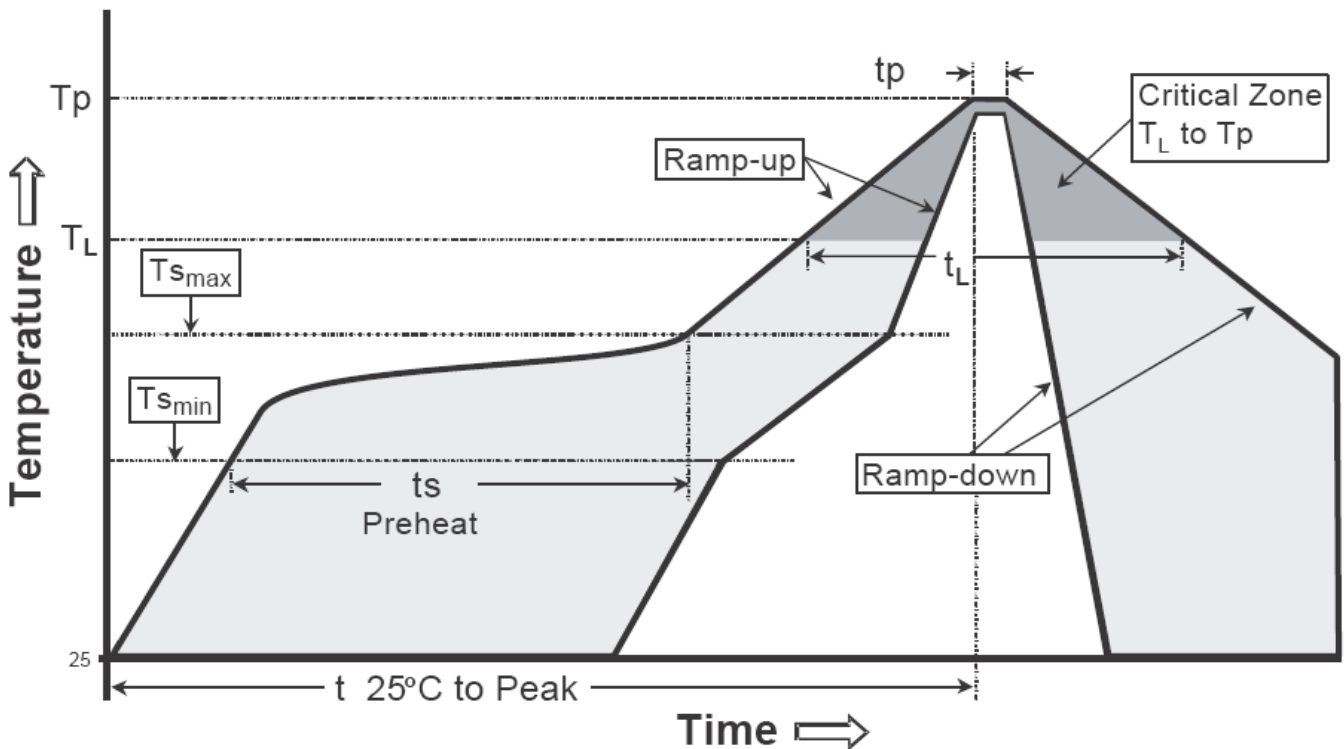
**Carrier Tape Dimension**



**Recommended wave soldering condition**

Product	Peak Temperature	Soldering Time
Pb-free devices	260 +0/-5 °C	5 +1/-1 seconds

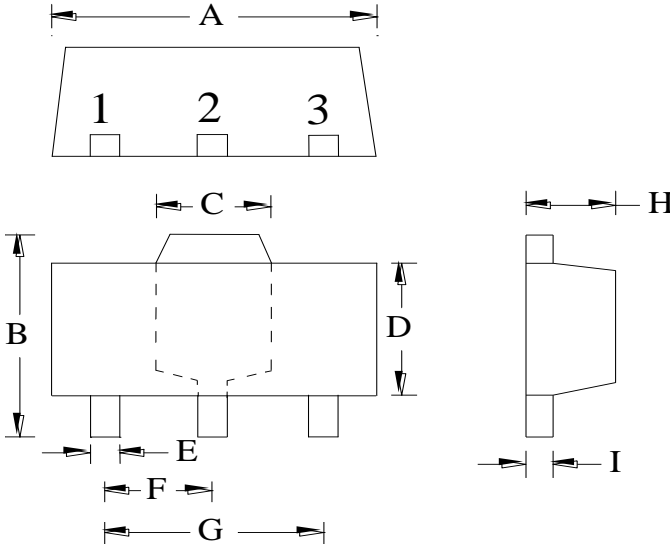
**Recommended temperature profile for IR reflow**



Profile feature	Sn-Pb eutectic Assembly	Pb-free Assembly
Average ramp-up rate (Tsmax to Tp)	3°C/second max.	3°C/second max.
Preheat		
-Temperature Min(Ts min)	100°C	150°C
-Temperature Max(Ts max)	150°C	200°C
-Time(ts min to ts max)	60-120 seconds	60-180 seconds
Time maintained above:		
-Temperature (T <sub>L</sub> )	183°C	217°C
- Time (t <sub>L</sub> )	60-150 seconds	60-150 seconds
Peak Temperature(T <sub>P</sub> )	240 +0/-5 °C	260 +0/-5 °C
Time within 5°C of actual peak temperature(tp)	10-30 seconds	20-40 seconds
Ramp down rate	6°C/second max.	6°C/second max.
Time 25 °C to peak temperature	6 minutes max.	8 minutes max.

Note : All temperatures refer to topside of the package, measured on the package body surface.

**SOT-89 Dimension**



**Marking:**

month code: 1~9,  
A,B,C

Year code:  
0→2010,  
1→2011,  
2→2012,  
...etc.

Product Code ← DK →

Style: Pin 1. Base 2. Collector 3. Emitter

3-Lead SOT-89 Plastic  
 Surface Mounted Package  
 CYStek Package Code: M3

DIM	Inches		Millimeters		DIM	Inches		Millimeters	
	Min.	Max.	Min.	Max.		Min.	Max.	Min.	Max.
A	0.1732	0.1811	4.40	4.60	F	0.0591	TYP	1.50	TYP
B	0.1551	0.1673	3.94	4.25	G	0.1181	TYP	3.00	TYP
C	0.0610	REF	1.55	REF	H	0.0551	0.0630	1.40	1.60
D	0.0906	0.1024	2.30	2.60	I	0.0138	0.0173	0.35	0.44
E	0.0126	0.0205	0.32	0.52					

**Notes:** 1.Controlling dimension: millimeters.  
 2.Maximum lead thickness includes lead finish thickness, and minimum lead thickness is the minimum thickness of base material.  
 3.If there is any question with packing specification or packing method, please contact your local CYStek sales office.

**Material:**

- Lead: Pure tin plated.
- Mold Compound: Epoxy resin family, flammability solid burning class: UL94V-0.

**Important Notice:**

- All rights are reserved. Reproduction in whole or in part is prohibited without the prior written approval of CYStek.
- CYStek reserves the right to make changes to its products without notice.
- CYStek **semiconductor products are not warranted to be suitable for use in Life-Support Applications, or systems.**
- CYStek assumes no liability for any consequence of customer product design, infringement of patents, or application assistance.